

MODEL: IG10600047C-1212N2



OWNER'S MANUAL

Tranquil Grove 12' x 12' Cedar Framed Hardtop Pavilion

TABLE OF CONTENTS

ASSEMBLY GUIDE.....	02
USING YOUR PRODUCT.....	05

November 29, 2025

QUESTIONS?



E-mail: support@modernshade.org



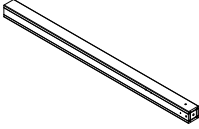
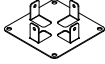
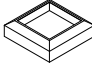
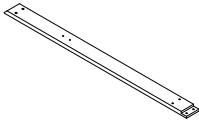
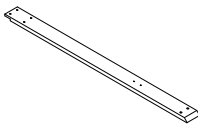
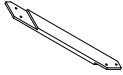
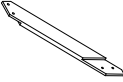
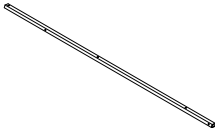
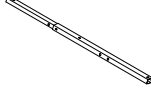
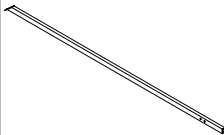
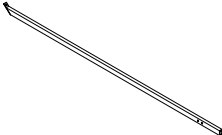
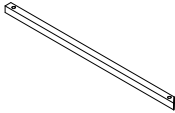
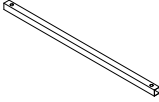
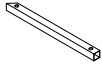
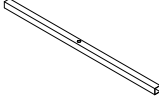
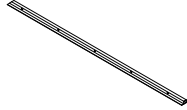
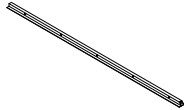
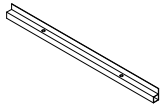
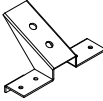
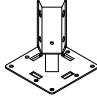
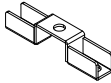
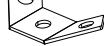
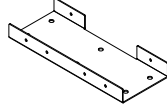
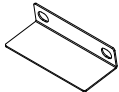
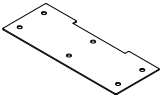
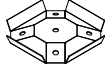
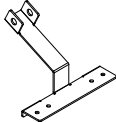
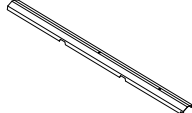
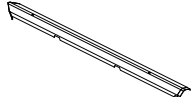
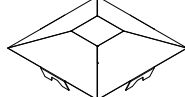




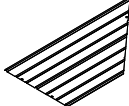
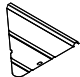
Toll Free Number: 1-888-666-3070

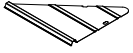

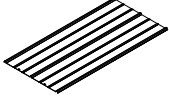
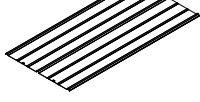
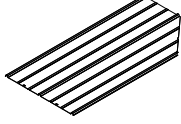
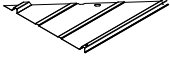
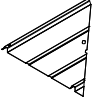


Mon-Fri: 9:00 AM - 5:00 PM PST.

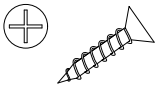
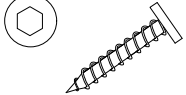
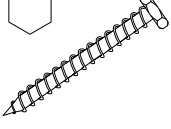
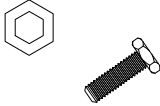
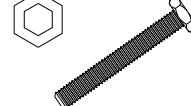
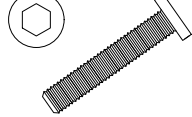
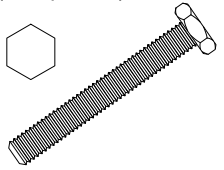
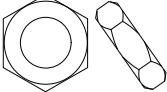
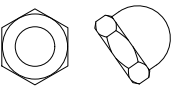





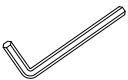

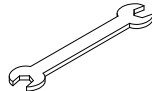
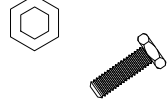
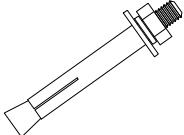





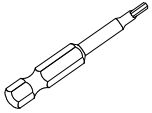
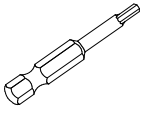
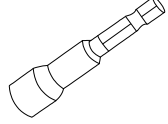
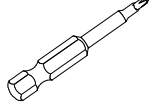
ASSEMBLY GUIDE

PARTS LIST

A1 Post 1 (4 pieces) 	E1 Foot Base 1 (4 pieces) 	C1 Foot Cover 1 (4 pieces) 	D3 Cross Beam 3 (4 pieces) 	D4 Cross Beam 4 (4 pieces) 	E1 Support Bracket 1 (4 pieces) 
P0010000701	P0030000301	P0020000301	P0040016101	P0040016201	P0050000501
E2 Support Bracket 2 (4 pieces) 	F4 Roof Rib 4 (4 pieces) 	F5 Roof Rib 5 (4 pieces) 	G5 Middle Cross Beam 5 (4 pieces) 	G6 Middle Cross Beam 6 (4 pieces) 	H2 Roof Support 2 (8 pieces) 
P0050000601	P0070000501	P0070000601	P0080000801	P0080000901	P0090000202
H5 Roof Support 5 (4 pieces) 	H8 Roof Support 8 (8 pieces) 	H9 Roof Support 9 (4 pieces) 	J5 Roof Border 5 (4 pieces) 	J6 Roof Border 6 (4 pieces) 	J20 Roof Border 20 (4 pieces) 
P0090000302	P0090002201	P0090002501	P0090001502	P0090001602	P0090001902
K1 Connector 1 (8 pieces) 	K2 Connector 2 (4 pieces) 	K3 Connector 3 (24 pieces) 	K4 Connector 4 (12 pieces) 	K5 Connector 5 (4 pieces) 	K7 Connector 7 (8 pieces) 
P0060001501	P0060001701	P0060000501	P0060000602	P0110005301	P0110000502
K11 Connector 11 (4 pieces) 	K17 Connector 17 (1 piece) 	K26 Connector 26 (4 pieces) 	L9 Roof Rib Cover 9 (4 pieces) 	L10 Roof Rib Cover 10 (4 pieces) 	L13 Roof Cover 13(1 piece) 
P0110005401	P0060001102	P0060011901	P0120001001	P0120001101	P0120000402
M3 Mosquito Net Rod 3 (4 pieces) 	M4 Mosquito Net Rod 4 (4 pieces) 	N Hook (1 piece) 	Z4 Roof Plate 4 (4 pieces) 	Z5 Roof Plate 5 (4 pieces) 	Z6 Roof Plate 6 (4 pieces) 
P0100001601	P0100001701	P1000000100	P0130000499	P0130000599	P0130000699

<p>Z7 Roof Plate 7 (4 pieces)</p> 	<p>Z15 Roof Plate 15 (4 pieces)</p> 	<p>Z19 Roof Plate 19 (4 pieces)</p> 	<p>Z21 Roof Plate 21 (4 pieces)</p> 	<p>Z22 Roof Plate 22 (4 pieces)</p> 	<p>Z23 Roof Plate 23 (4 pieces)</p> 
<p>P013000799</p>	<p>P0130001599</p>	<p>P0130001999</p>	<p>P0130007099</p>	<p>P0130007199</p>	<p>P0130007299</p>
<p>Z24 Roof Plate 24 (4 pieces)</p> 					
<p>P0130007399</p>					

HARDWARE

<p>AA Bolt M5*25 (120+6 pieces)</p> 	<p>BB Bolt M8*35 (32+2 pieces)</p> 	<p>CC Bolt M10*65 (8+1 pieces)</p> 	<p>DD Bolt M6*20 (168+8 pieces)</p> 	<p>EE Bolt M6*45 (16+1 pieces)</p> 	<p>FF Bolt M8*45 (24+2 pieces)</p> 
H0008008098	H0008008099	H0008008100	H0008008036	H0008008016	H0008008191
<p>GG Bolt M10*160 (8+1 pieces)</p> 	<p>HH Anti-slip Screw Nut M10 (8+1 pieces)</p> 	<p>JJ M8 Ball nut (24+2 pieces)</p> 	<p>KK M6 Flat washer (256+13 pieces)</p> 	<p>LL M8 Flat washer (80+4 pieces)</p> 	<p>MM M10 Flat washer (24+2 pieces)</p> 
H0008008140	H0008008126	H0008008192	H0008008057	H0008008058	H0008008141
<p>NN M6 Sealant Washer (16+2 pieces)</p> 	<p>PP Double Open End Wrench M8/M10 (2 pieces)</p> 	<p>RR M6 Allen Key (2 pieces)</p> 	<p>SS M8 Allen Key (2 pieces)</p> 	<p>TT Double Open End Wrench M5/M6 (2 pieces)</p> 	<p>VV Bolt M6*15 (72+4 pieces)</p> 
H0008008060	H0008008190	H0008008133	H0008008129	H0008008121	H0008008001
<p>XX Concrete Anchor M6*60 (8 pieces)</p> 	<p>YY M5x14 Double head screw (8+1 pieces)</p> 	<p>ZZ M5 Ball nut (8+1 pieces)</p> 	<p>ZY M5 Flat washer (12+1 pieces)</p> 	<p>ZX M5 Sealant Washer (12+1 pieces)</p> 	<p>ZW Bolt M5*25 (4+1 pieces)</p> 
H0008008095	H0008008163	H0008008164	H0008008056	H0008008059	H0008008138
<p>ZU M6 Hex drill bit (1 piece)</p> 	<p>ZT M8 Hex drill bit (1 piece)</p> 	<p>ZS M10 Hexsocket drill bit (1 piece)</p> 	<p>ZR Phillips drill bit (1 piece)</p> 		
H0008008209	H0008008210	H0008008208	H0008008215		

IMPORTANT:

This instruction manual contains important information necessary for the proper assembly and safe use of the product.

Read and follow all warnings and instructions before assembling and using the product.

Follow all warnings and instructions when using the product.

Keep this manual for future reference.

Installer/Assembler: leave these instructions with the consumer.

SAFETY ALERT KEY

⚠ DANGER

Indicates a hazardous situation that, if not avoided, will result in death or serious injury.

⚠ WARNING

Indicates a hazardous situation that, if not avoided, could result in death or serious injury.

⚠ CAUTION

Indicates a hazardous situation that, if not avoided, could result in minor or moderate injury.

NOTICE

Indicates information considered important, but not hazard-related (e.g.messages related to property damage).

ASSEMBLY INSTRUCTIONS

- Please carefully unpack each of the components and hardware. check the components against the parts list and make sure there are no missing parts. lay pieces on cardboard or a soft mat to help protect the pieces from scratches.

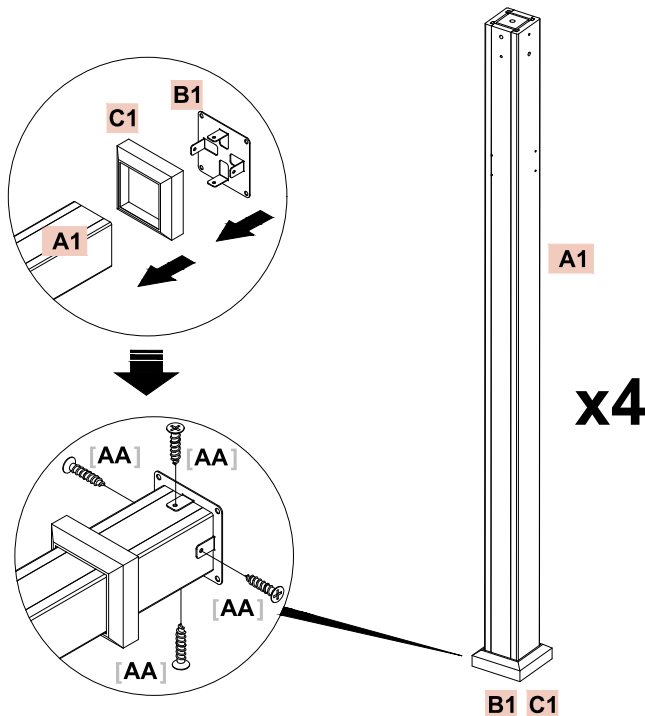
⚠ CAUTION

Watch for sharp edges when handling the pieces, wear gloves to avoid injury.

STEP 01

Slide foot base **B1** and foot cover **C1** onto post **A1**. Use four (4) **[AA]** bolts to attach foot base **B1** to post **A1**. Repeat with the other three (3) posts **A1**.

[AA] x16

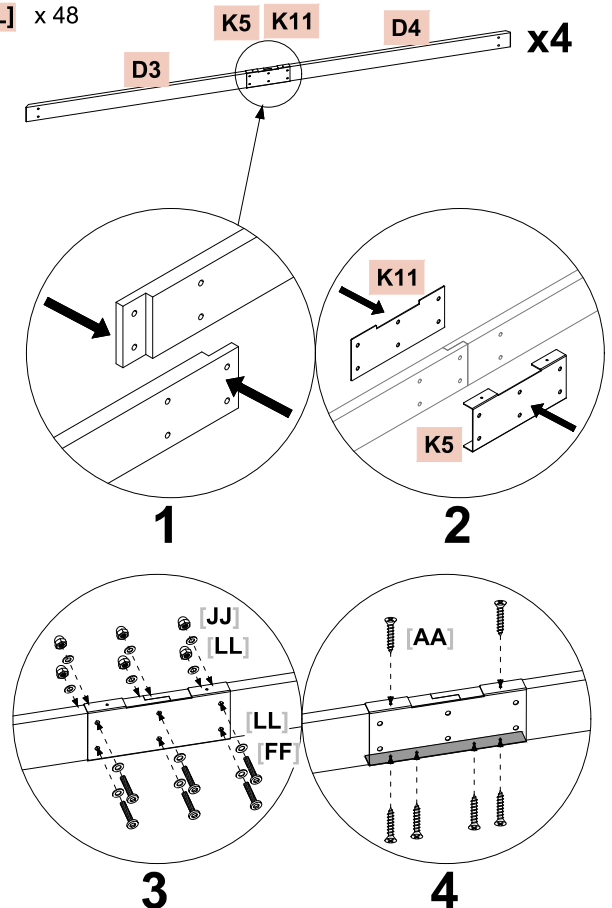


- For ease of assembly, it is recommended to have 3 or more people and allow enough time to completely finish the assembly. assembly can take 6-8 hours. a step-ladder is required for assembly (not included).
- Follow step by step instructions, and follow all safety warnings provided with your tools.
- DO NOT tighten screws until all the screws and washers are properly installed. Tighten screws securely, do not over tighten.
- Gazebo should not be used in inclement weather and high winds.

STEP 02

Attach cross beam **D3** and **D4** together using connector **K5** and **K11**. Secure with six (6) **[FF]** bolts, twelve (12) **[LL]** flat washers and six (6) **[JJ]** ball nuts on the sides. Use six (6) **[AA]** bolts secure both the top and bottom of the connection. Repeat to make a second assembly.

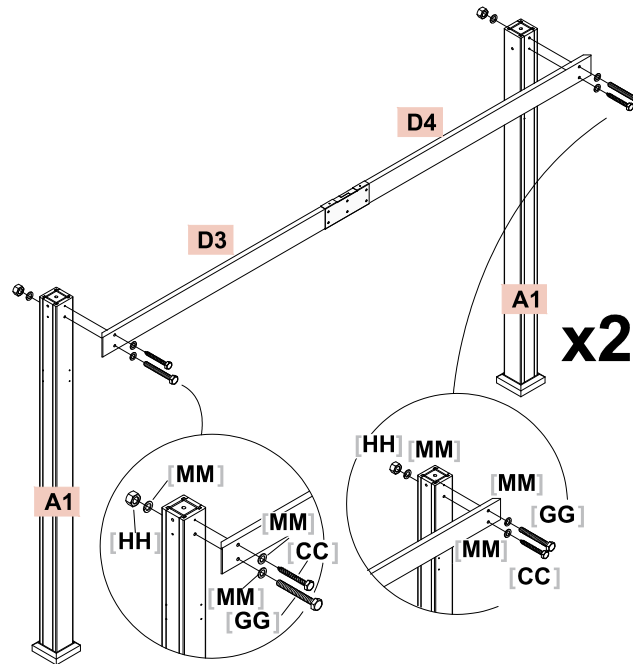
- [AA]** x 24
- [FF]** x 24
- [JJ]** x 24
- [LL]** x 48



STEP 03

Attach the cross beam assembly **D3 D4** to left **A1** post using one (1) **[CC]** bolt and **[MM]** washer in the top hole, and one (1) **[GG]** bolt, two (2) **[MM]** washers, and one (1) **[HH]** nut in the bottom hole. Attach the cross beam assembly to right **A1** post, using one (1) **[GG]** bolt, two (2) **[MM]** washers, and one (1) **[HH]** nut in the top hole, and one (1) **[CC]** bolt and **[MM]** washer in the bottom hole. Repeat to make a second assembly.

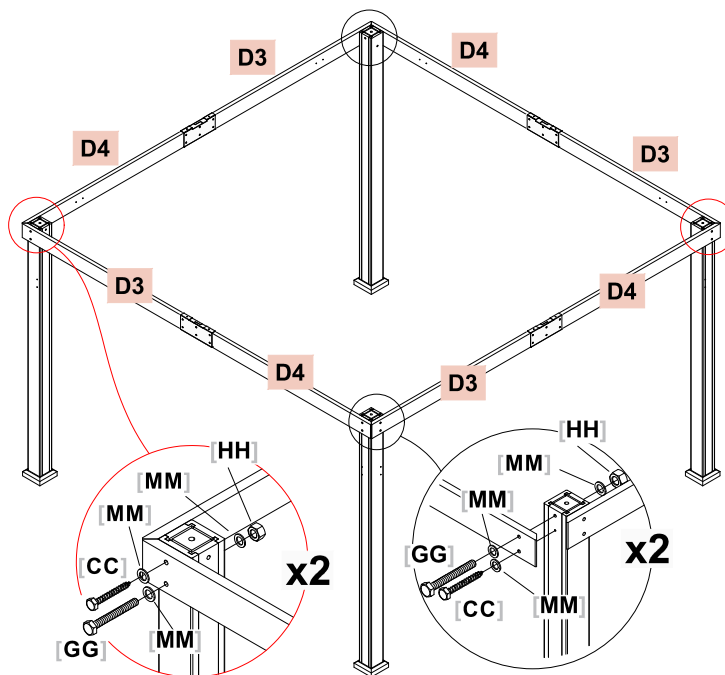
- [CC]** x4
- [MM]** x12
- [HH]** x4
- [GG]** x4



STEP 04

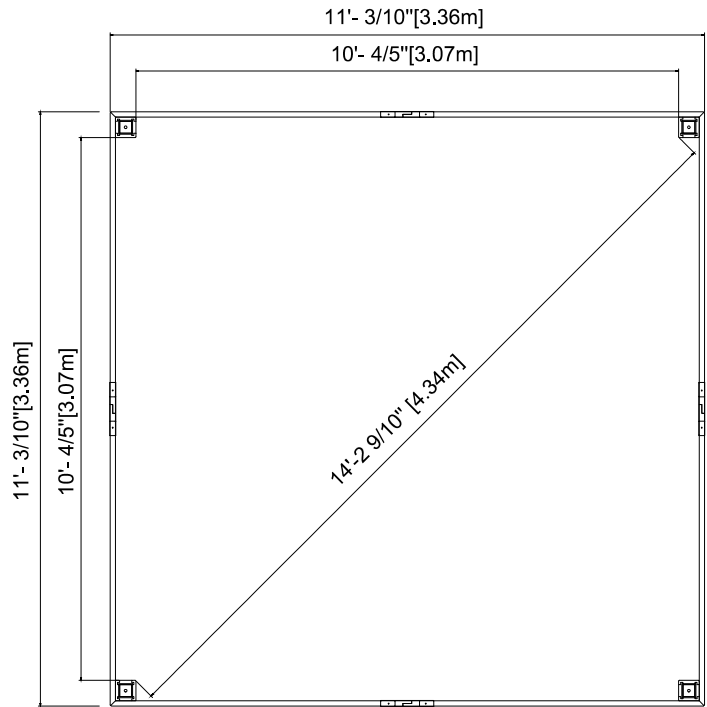
Attach the cross beam assembly **D3 D4** to left **A1** post using one (1) **[CC]** bolt and **[MM]** washer in the top hole, and one (1) **[GG]** bolt, two (2) **[MM]** washers, and one (1) **[HH]** nut in the bottom hole. Attach the cross beam assembly to right **A1** post, using one (1) **[GG]** bolt, two (2) **[MM]** washers, and one (1) **[HH]** nut in the top hole, and one (1) **[CC]** bolt and **[MM]** washer in the bottom hole. Repeat to make a second assembly.

- [CC]** x4
- [MM]** x12
- [HH]** x4
- [GG]** x4



STEP 05

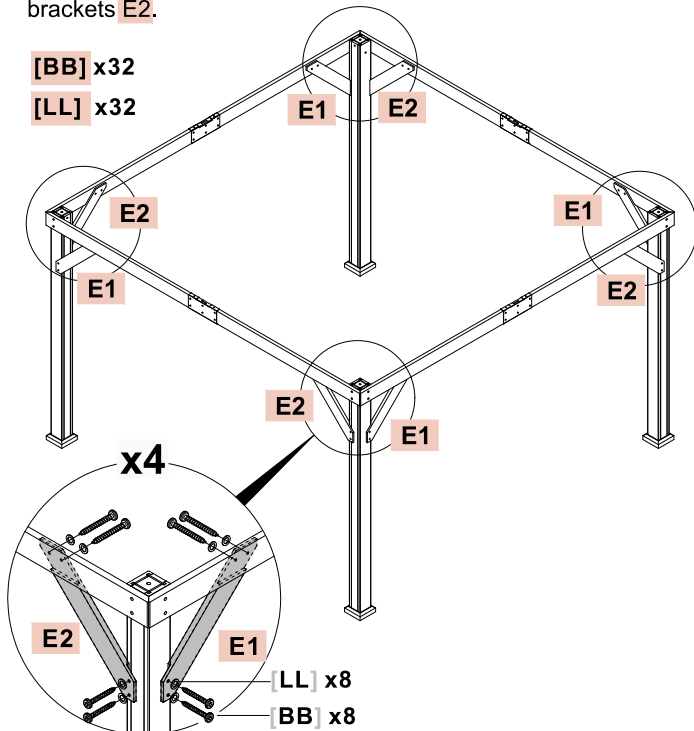
CRITICAL: SQUARE UNIT BEFORE PROCEEDING TO NEXT STEPS. ONCE SQUARE, TIGHTEN ALL HARDWARE.



STEP 06

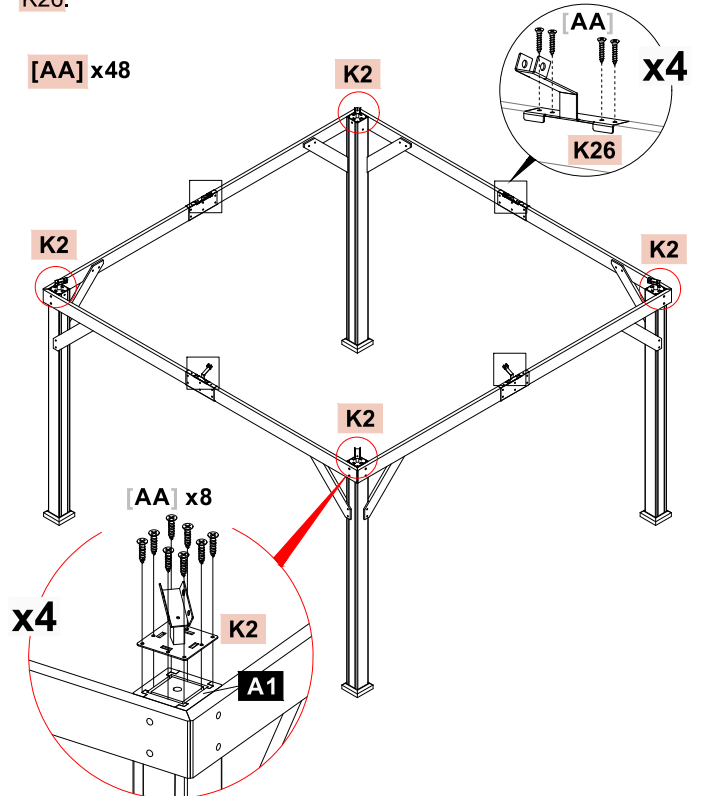
Use four (4) [BB] bolts and four (4) [LL] flat washers to attach one (1) support bracket **E1** to cross beam and post on left corner of each side. Repeat with the other three (3) support brackets **E1**.

Use four (4) [BB] bolts and four (4) [LL] flat washers to attach one (1) support bracket **E2** to cross beam and post on right corner of each side. Repeat with the other three (3) support brackets **E2**.



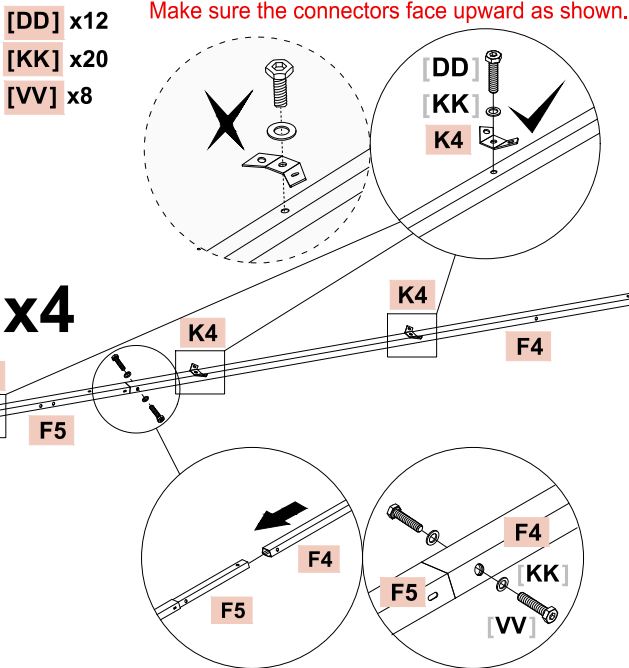
STEP 07

Use eight (8) [AA] bolts to attach one (1) connector **K2** to post **A1**. Repeat with the other three (3) connector **K2**. Use four (4) [AA] bolts to attach one (1) connector **K26** to the center of cross beam assemblies. Repeat with the other three (3) Connector **K26**.



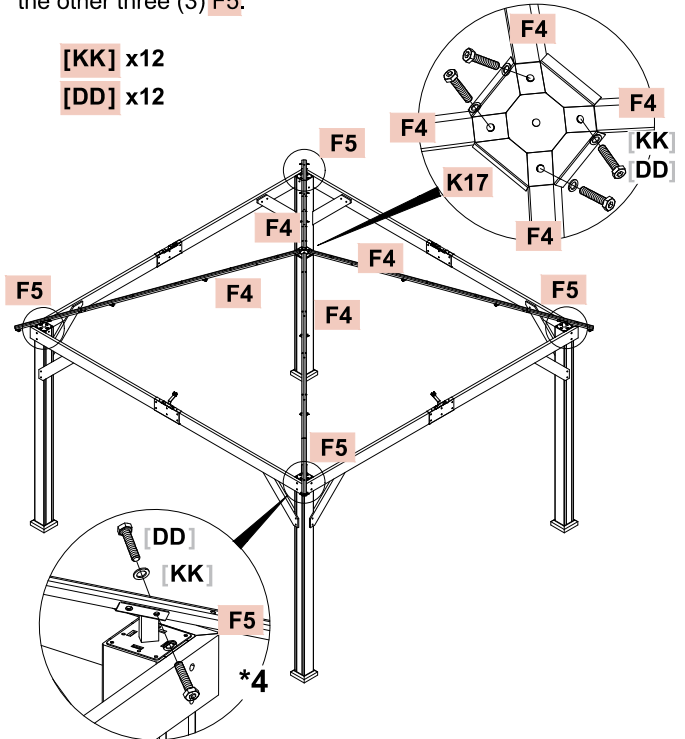
STEP 08

Slide roof rib F4 onto F5, securing with two (2) [VV] bolts and two (2) [KK] flat washers. Use one (1) [DD] bolt and one (1) [KK] flat washer to attach one (1) connector K4 to roof rib assembly F4 F5. Repeat with the other two (2) connector K4 on one assembly. Repeat with the other three (3) roof rib assembly F4 F5.



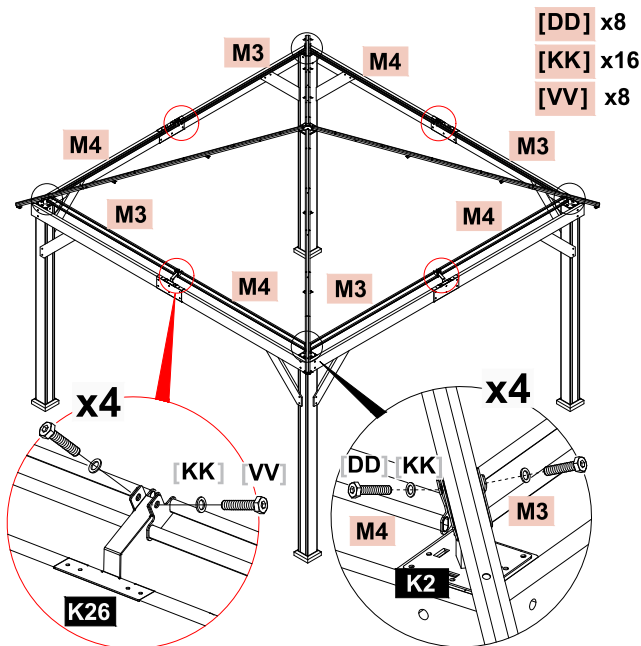
STEP 09

Use four (4) [DD] bolts and four (4) [KK] flat washers to attach connector K17 to roof ribs F4. Use two (2) [DD] bolts and two (2) [KK] flat washers to attach roof rib F5 to the post. Repeat with the other three (3) F5.



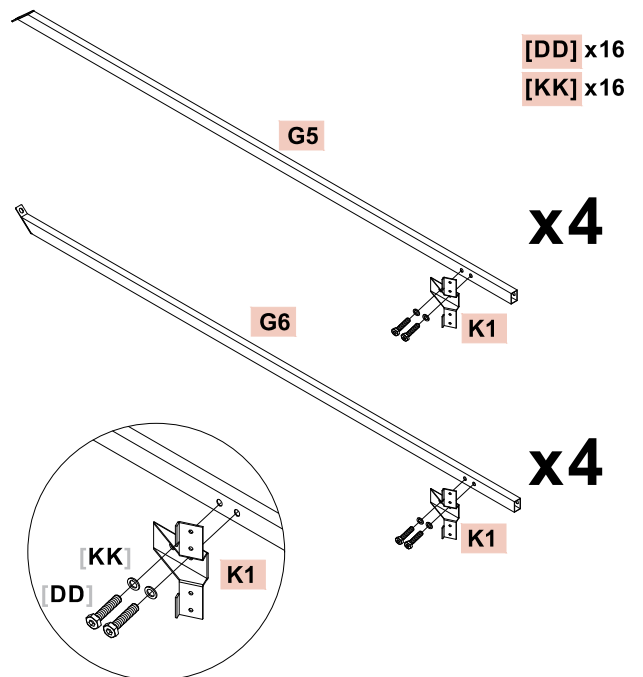
STEP 10

Use one (1) [VV] bolt, one (1) [DD] bolt and two (2) [KK] flat washers to attach one (1) mosquito net rod M4 to roof rib F5 and connector K26. Repeat with the other three (3) M4 and four (4) M3.



STEP 11

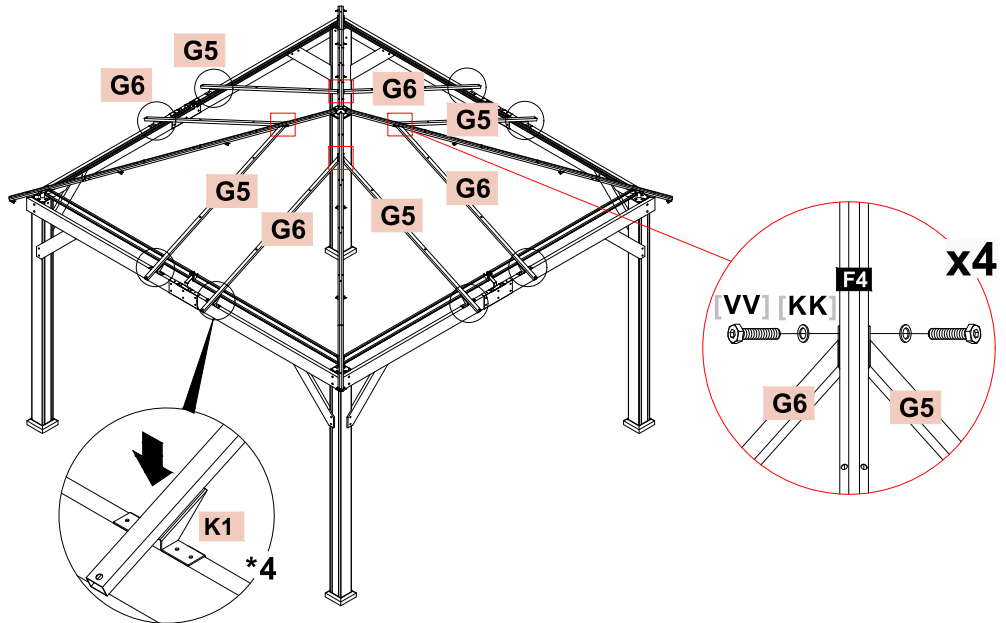
Use two (2) [DD] bolts and two (2) [KK] flat washers to attach one (1) connector K1 to middle cross beam G5. Repeat with the other three (3) K1. Use two (2) [DD] bolts and two (2) [KK] flat washers to attach one (1) connector K1 to middle cross beam G6. Repeat with the other three (3) K1.



STEP 12

Attach connector **K1** on middle cross beam **G6** to cross beams. Use one (1) **[VV]** bolt and one (1) **[KK]** flat washer to attach the other end of **G6** to roof rib **F4**. Repeat with the other three (3) **G6** and four (4) **G5**.

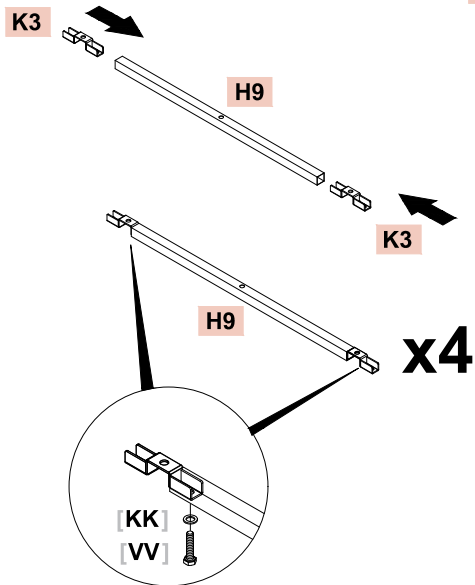
[VV] x8
[KK] x8



STEP 13

Create a roof support assembly by sliding the parts together in this order: **K3**, **H9** and **K3**, securing with **[VV]** bolts and **[KK]** flat washers. Repeat with other three (3) assemblies.

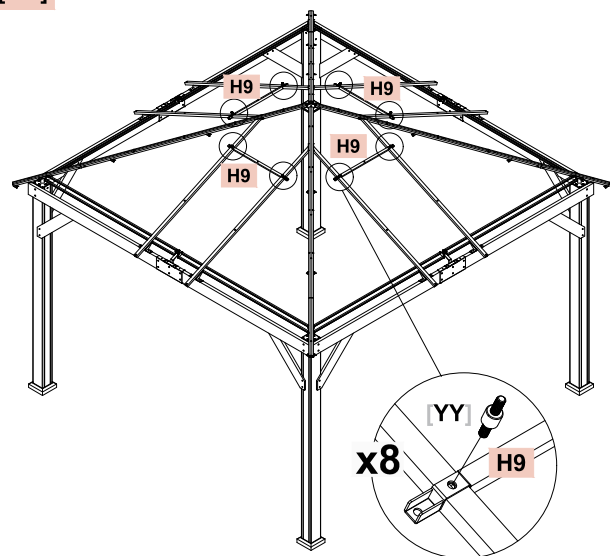
[VV] x8
[KK] x8



STEP 14

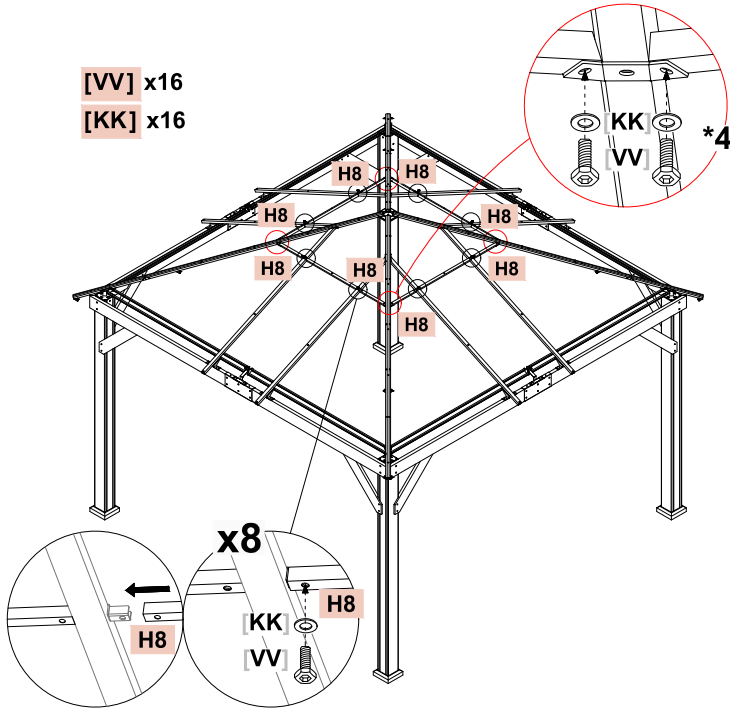
Use two (2) **[YY]** double-headed screws to attach one (1) assembly **K3 H9 K3** to middle cross beam **G5** and **G6**. Repeat with other three (3) assemblies.

[YY] x8



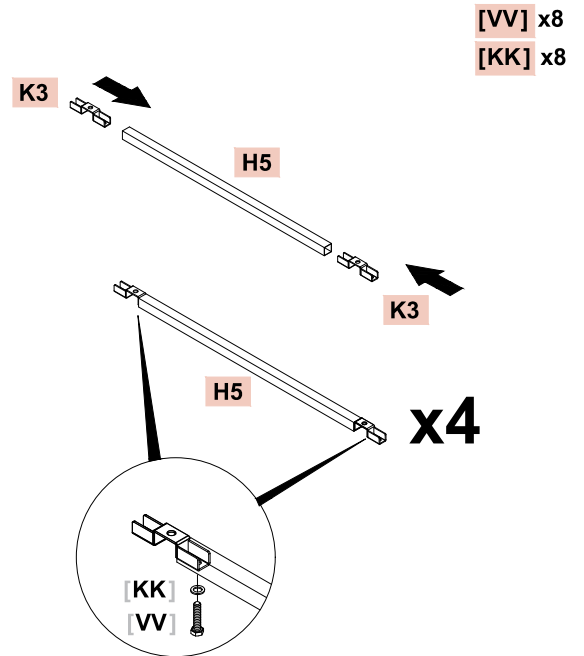
STEP 15

Slide roof support **H8** on one end of assembly onto Connector **K3**. Use two (2) **[VV]** bolts and two (2) **[KK]** flat washers to secure **H8** to roof rib and middle cross beam. Repeat with other seven (7) roof support **H8**.



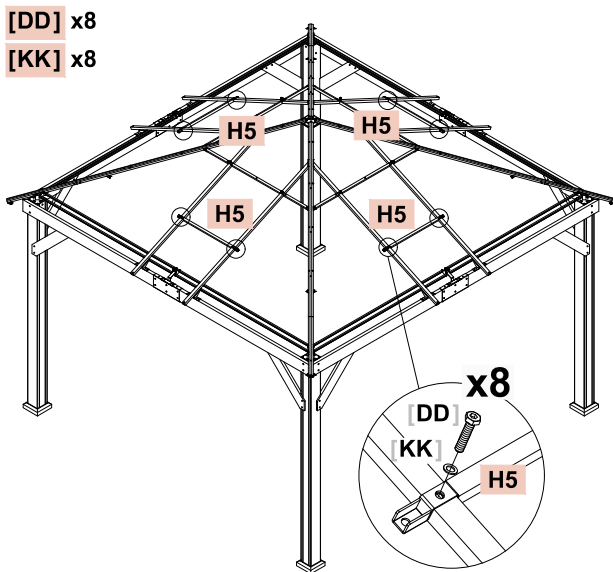
STEP 16

Create a roof support assembly by sliding the parts together in this order: **K3**, **H5** and **K3**, securing with **[VV]** bolts and **[KK]** flat washers. Repeat with other three (3) assemblies.



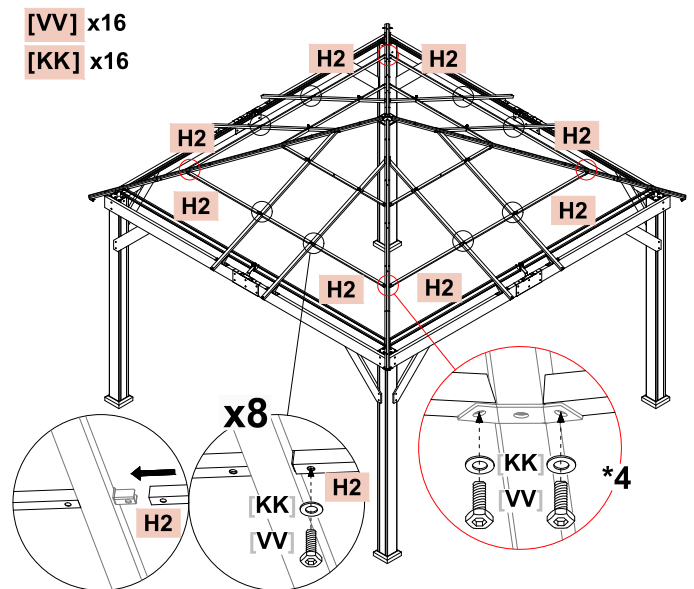
STEP 17

Use two (2) **[DD]** bolt, two (2) **[KK]** washers to attach one (1) assembly **K3 H5 K3** to middle cross beam **G5** and **G6**. Repeat with other three (3) assemblies.



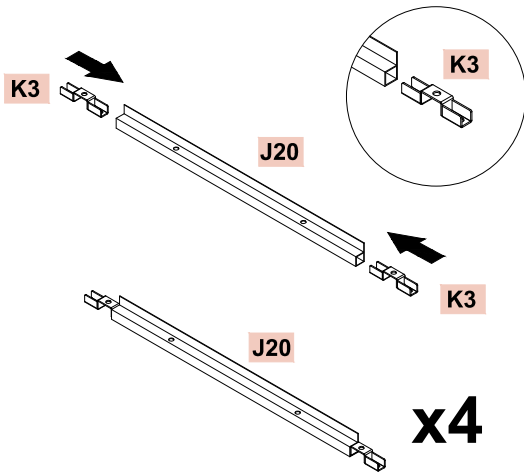
STEP 18

Slide roof support **H2** on one end of assembly onto Connector **K3**. Use two (2) **[VV]** bolts and two (2) **[KK]** flat washers to secure **H2** to roof rib and middle cross beam. Repeat with other seven (7) roof support **H2**.



STEP 19

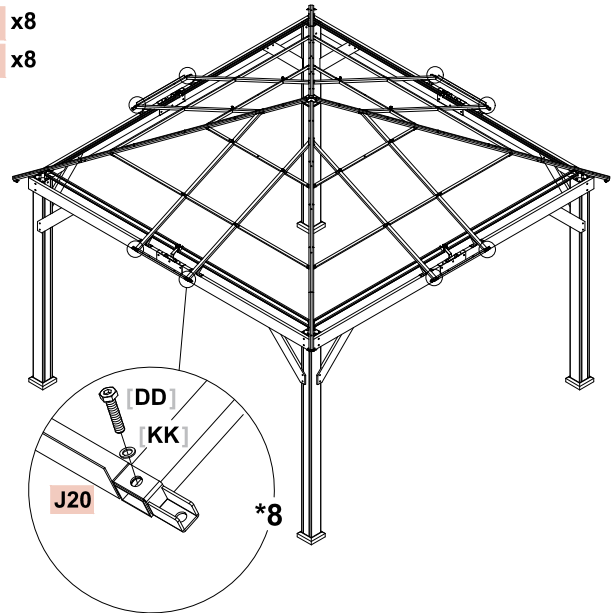
Create a roof border assembly by sliding the parts together in this order: **K3**, **J20** and **K3**. Repeat with other three (3) assemblies.



STEP 20

Use two (2) **[DD]** bolts and two (2) **[KK]** flat washers to attach one (1) assembly **K3 J20** to the lower end of middle cross beam **G5** and **G6**. Repeat with other three (3) assemblies.

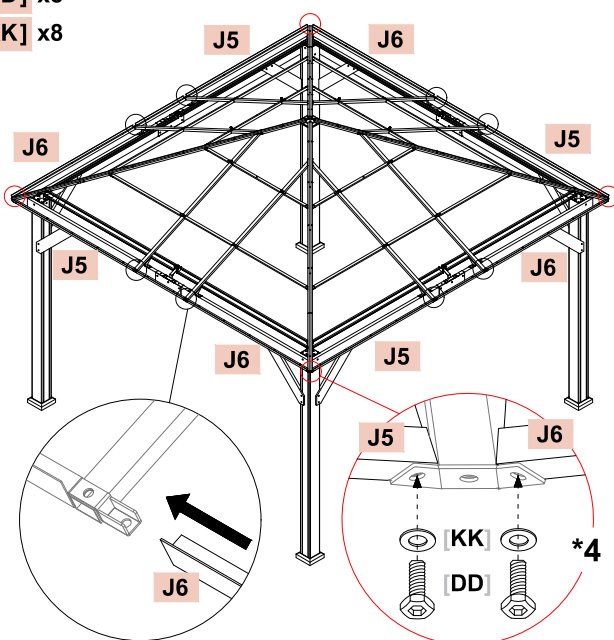
[DD] x8
[KK] x8



STEP 21

Slide roof border **J6** on one end of assembly onto Connector **K3**. Use one (1) **[DD]** bolt and one (1) **[KK]** flat washer to secure **J6** to roof rib and middle cross beam. Repeat with other three (3) **J6** and four (4) **J5**.

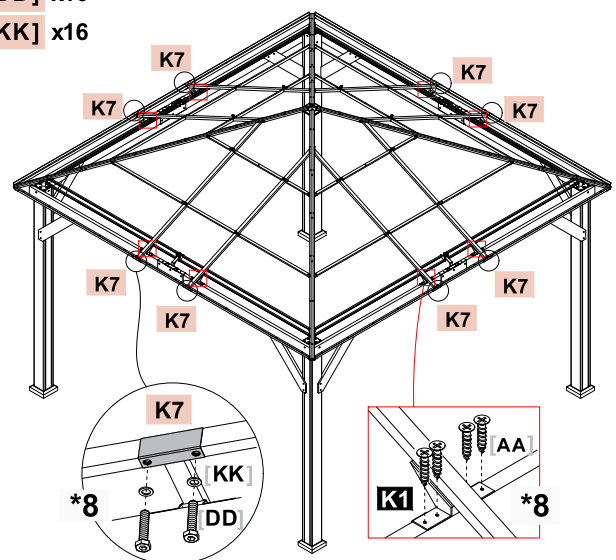
[DD] x8
[KK] x8



STEP 22

Use four (4) **[AA]** bolts to secure each connector **K1** to cross beams. Use two (2) **[DD]** bolts and two (2) **[KK]** flat washers to attach one (1) connector **K7** to roof border connections. Repeat with other seven (7) **K7**.

[AA] x32
[DD] x16
[KK] x16

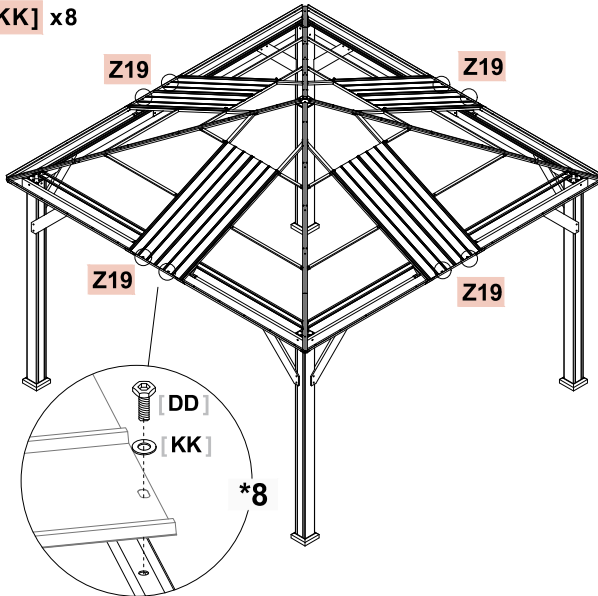


STEP 23

DO NOT tighten the bolts completely until all the bolts and washers are properly installed.
Use one (1) [DD] bolt and one (1) [KK] flat washer to attach each lower hole of roof plates Z19 to the frame.

[DD] x8

[KK] x8



STEP 24

DO NOT tighten the bolts completely until all the bolts and washers are properly installed.
Overlap the edges of the adjacent roof plates together.
Use one (1) [DD] bolt and one (1) [KK] flat washer to attach each upper hole of roof plates Z15 to the frame. Use one (1) [ZW] bolt, one (1) [ZY] flat washer and one (1) [ZX] sealant washer to secure each lower hole of roof plates Z15 to the frame.

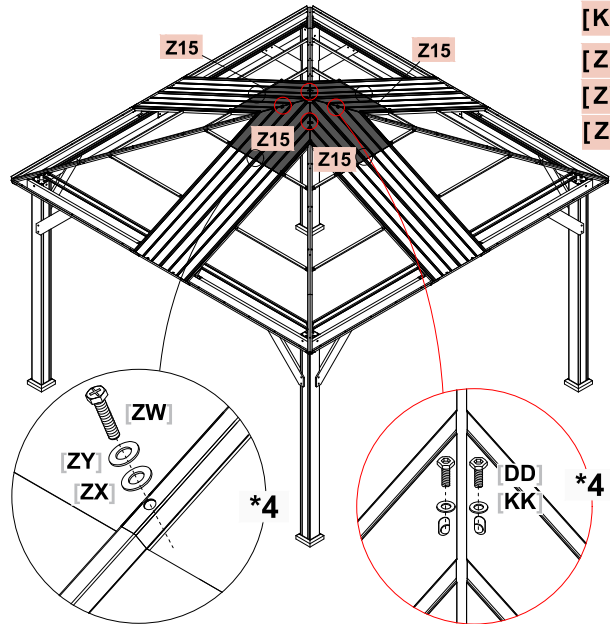
[DD] x 8

[KK] x 8

[ZX] x 4

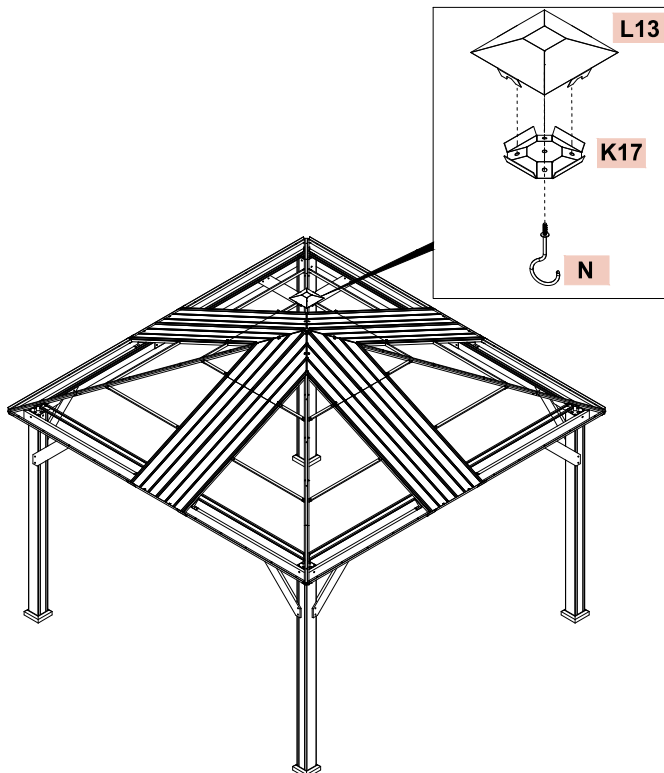
[ZY] x 4

[ZW] x 4



STEP 25

Attach hook N to roof rib cover L13 through connector K17.

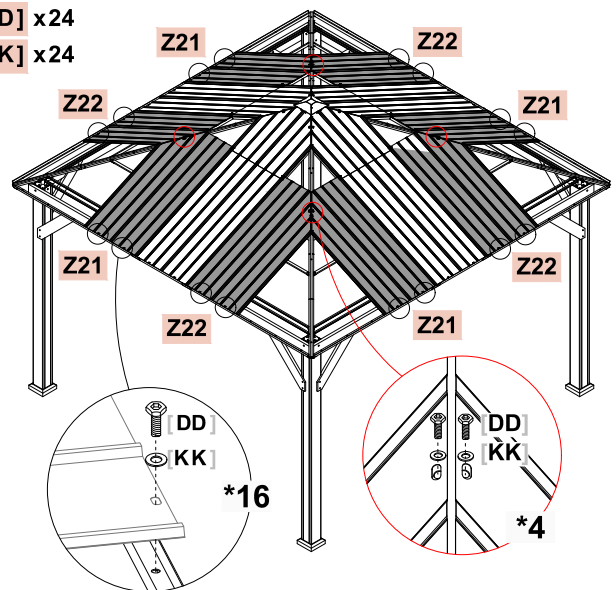


STEP 26

DO NOT tighten the bolts completely until all the bolts and washers are properly installed.
Overlap the edges of the adjacent roof plates together.
Use one (1) [DD] bolt and one (1) [KK] flat washer to attach each upper hole of roof plates Z21/Z22 to the frame. Use one (1) [DD] bolt and one (1) [KK] flat washer to secure each lower hole of roof plates Z21/Z22 to the frame.

[DD] x24

[KK] x24



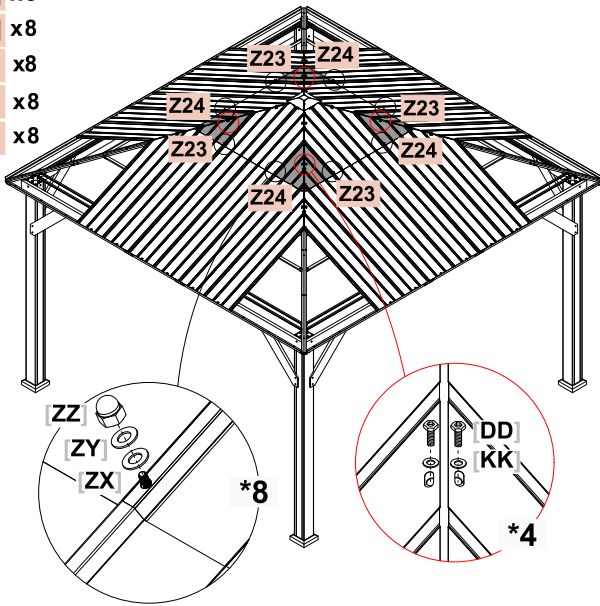
STEP 27

DO NOT tighten the bolts completely until all the bolts and washers are properly installed.

Overlap the edges of the adjacent roof plates together.

Use one (1) [DD] bolt and one (1) [KK] flat washer to attach each upper hole of roof plates Z23/Z24 to the frame. Use one (1) [ZZ] ball nut, one (1) [ZY] flat washer and one (1) [ZX] sealant washer to secure each lower hole of roof plates Z23/Z24 to the frame.

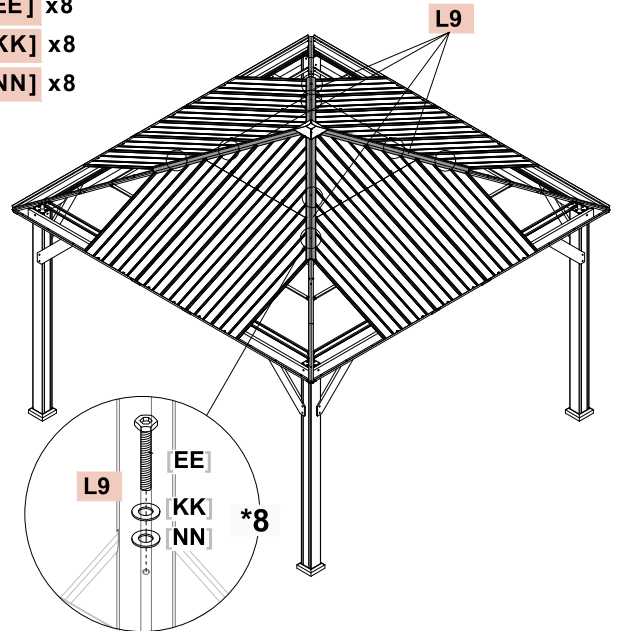
- [DD] x8
- [KK] x8
- [ZZ] x8
- [ZX] x8
- [ZY] x8



STEP 28

Use two (2) [EE] bolts, two (2) [KK] flat washers and two (2) [NN] sealant washers to attach one (1) roof rib cover L9 to the roof. Repeat with the other three (3) roof rib cover L9.

- [EE] x8
- [KK] x8
- [NN] x8

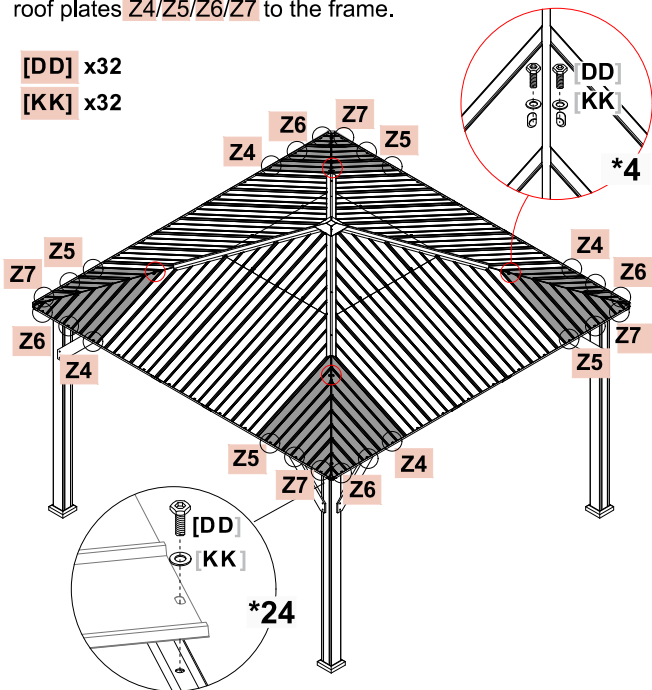


STEP 29

Overlap the edges of the adjacent roof plates together.

Use one (1) [DD] bolt and one (1) [KK] flat washer to attach each upper hole of roof plates Z4/Z5 to the frame. Use one (1) [DD] bolt and one (1) [KK] flat washer to secure each lower hole of roof plates Z4/Z5/Z6/Z7 to the frame.

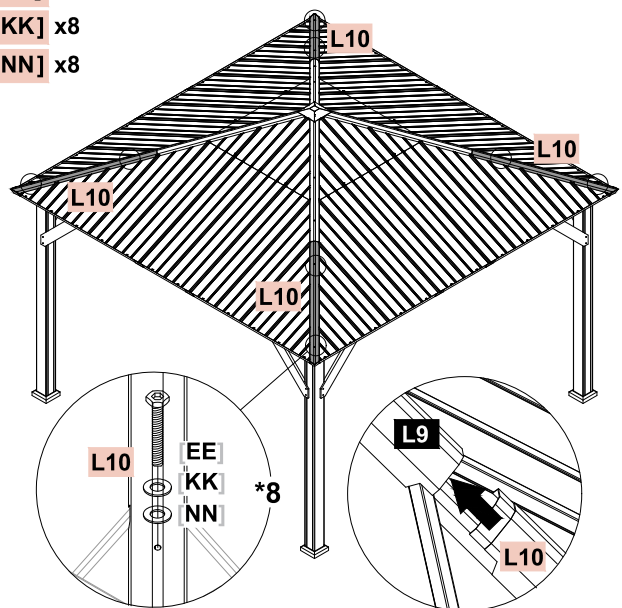
- [DD] x32
- [KK] x32



STEP 30

Slide roof cover L10 into L9. Use two (2) [EE] bolts, two (2) [KK] flat washers and two (2) [NN] sealant washers to attach one (1) roof rib cover L10 to the roof. Repeat with the other three (3) roof rib cover L10.

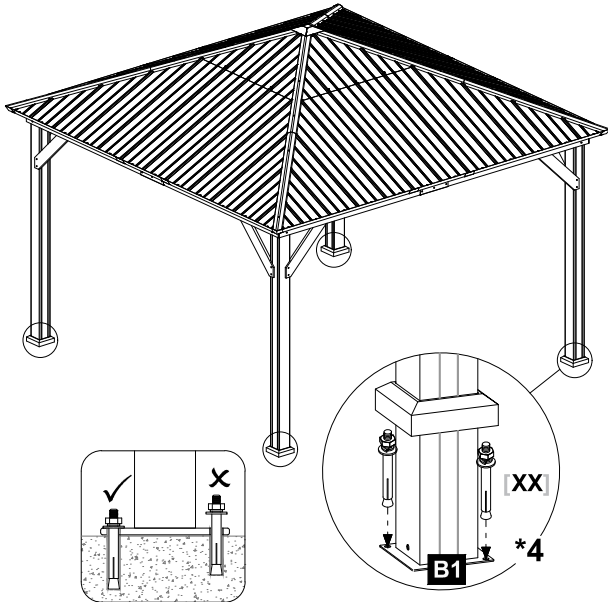
- [EE] x8
- [KK] x8
- [NN] x8



STEP 31

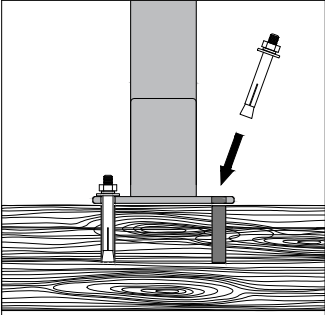
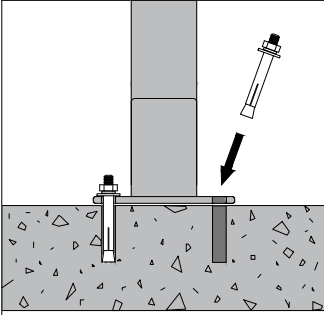


Use two (2) [TT] expansion bolts to anchor each post foot base
B. please make sure the expansion bolts are fully anchored. We recommend using a 3/8 inch drill bit when installing the included expansion bolts.

[XX] x8



Outdoor Structure anchoring guide for anchoring gazebo to wood or concrete: If step 31, on page 14 in the assembly instructions is not properly completed, this will void the warranty.

⚠ WARNING! If your gazebo is not properly anchored, damage could occur. It is highly recommended for maximum safety that you mount and secure to wood or concrete footers. This is far better and safer than using ground stakes. The following are some examples of how to mount the structure to wood or concrete surfaces. Refer to local building codes or consider consulting a licensed contractor for assistance in the anchoring of this product.

WOOD	CONCRETE
	
<p>Anchors should be drilled into joists or reinforced blocking (not only deck boards).</p>  <p>Recommended Hardware: Expansion Bolt</p>	<p>Pre-drill holes for appropriately sized concrete anchors.</p>  <p>Recommended Hardware: Expansion Bolt</p>

If digging for foundation, please double check for possibility of any underground utilities such as gas, telephone, cable or sprinkler lines. Refer to your local building and city codes, ordinances, neighborhood covenants, or height restrictions regarding this type of structure for guidance on acceptable installation requirements.

⚠ CAUTION

DO NOT climb or walk on roof for any reason.

- Our components are intended for privacy, decorative and ornamental use only.
- Product is NOT INTENDED for the following:
 - A safety barrier to prevent unsupervised access to pools, hot tubs, spas or ponds.
 - As load bearing support for a building, structure, heavy objects or swings.
 - Used in structures that trap wind, rain or snow that would create extra load on the product.
 - Accumulated snow must be removed from roof.
 - DO NOT climb or walk on roof for any reason.

LIMITED WARRANTY

We warrants this product against defects in materials and workmanship for a period of one (1) year from the original date of purchase. To the extent any such defects occur, our products will send the appropriate replacement part(s) at no charge.

This warranty does not cover:

- Inspection costs or labor for replacement of any defective parts);
- Incidental or consequential damages;
- Cosmetic defects which DO NOT affect performance;
- Normal wear and tear;
- Damage due to vandalism; acts of nature, including but not limited to wind, storms, hail, floods;
- Improper assembly, installation, or use;
- Discoloration or fading of the finish as a result of exposure to chemicals, spills, pool or salt water
- Corrosion/ rust.

Your product has been designed for safety and quality. Any modifications made to the original product could compromise its structural integrity or function, and could lead to product failure or personal injury. As such, modifying this product voids any and all warranties.

This product is warranted for RESIDENTIAL USE ONLY, and is not for commercial, contract or other non-residential purposes. Products disclaims all other representations and warranties of any kind, express or implied.

The warranty applies to the original purchaser and is non-transferable. It does not apply to purchases of display models, or when the product is sold on clearance or "as is".

We makes no warranty whatsoever in respect to accessories or parts not supplied with it. This warranty shall apply only within the boundaries of the United States of America and Canada. This warranty gives the original purchaser specific rights, and the original purchaser may also have other rights, which vary from state to state.

