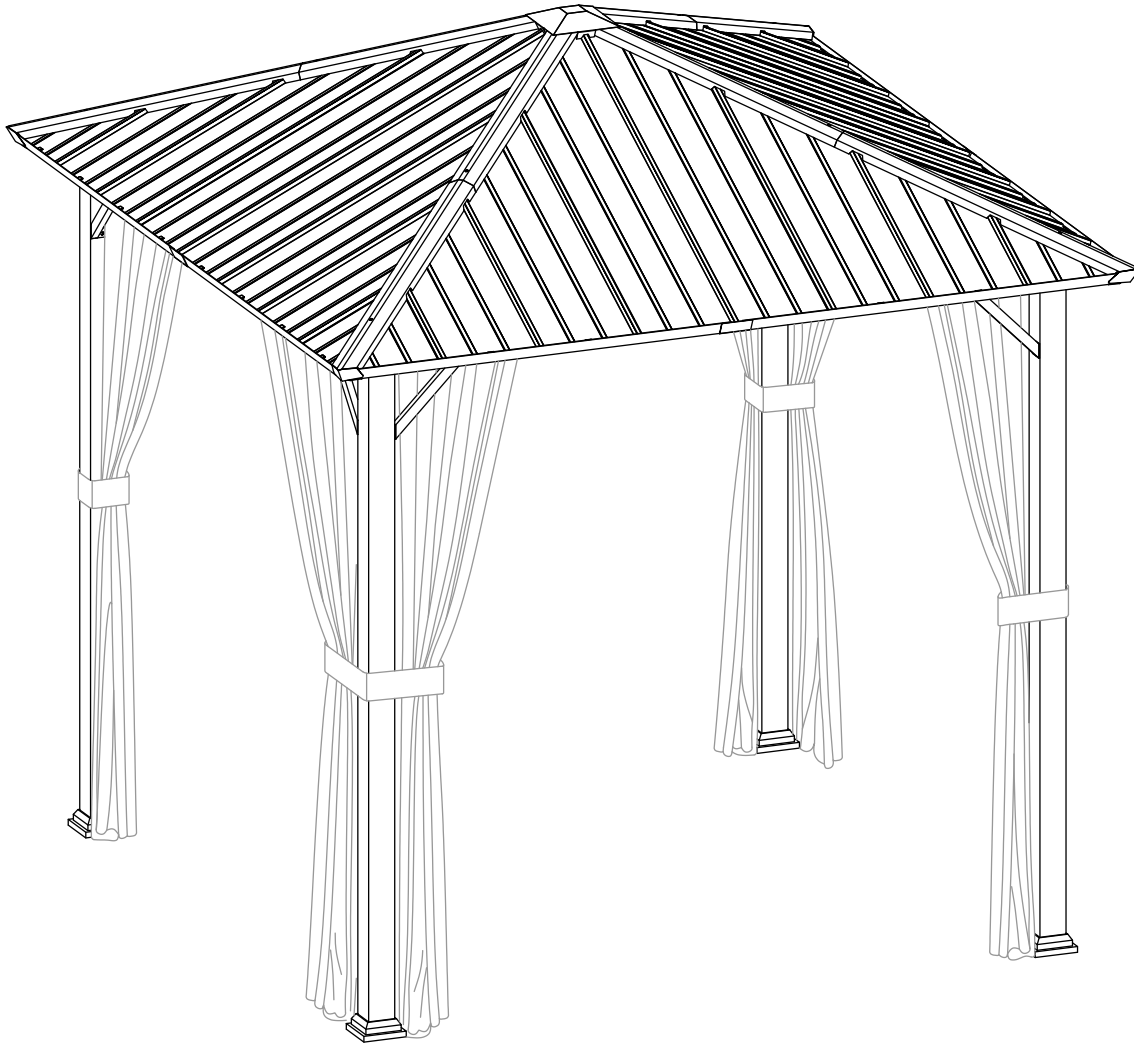




MODEL: IG10600094C-88



OWNER'S MANUAL

8'x8' Hard Top Gazebo




TABLE OF CONTENTS

ASSEMBLY GUIDE.....02
USING YOUR PRODUCT.....04

January 23, 2026

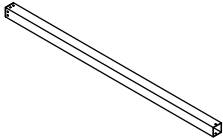
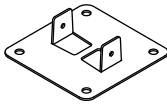
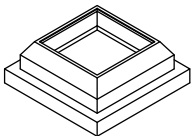
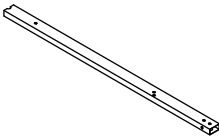
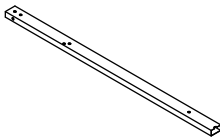
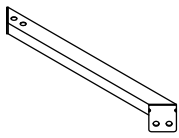
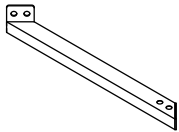

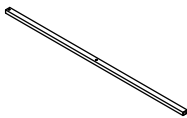
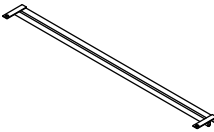
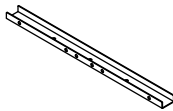
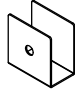
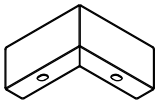
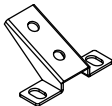
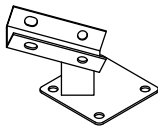
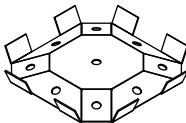
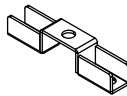
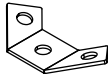
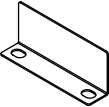
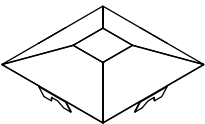
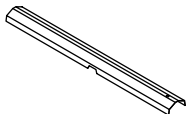
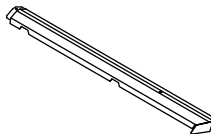
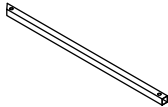
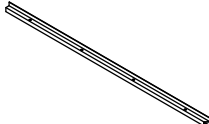
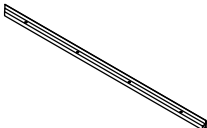
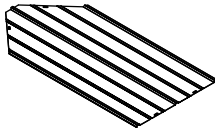
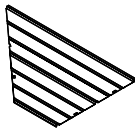

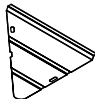

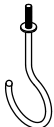
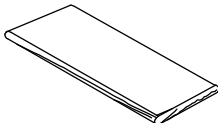


QUESTIONS?

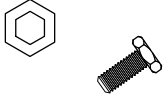
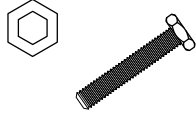
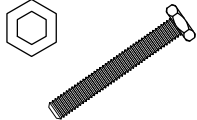
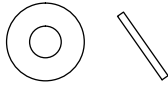
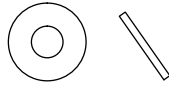
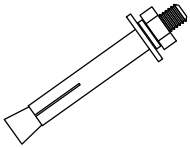
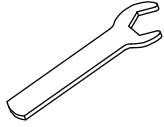
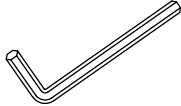
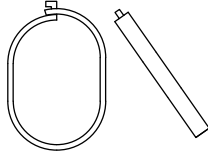
-  **E-mail:** support@modernshade.org
-  **Toll Free Number:** 1-888-666-3070
-  **Mon-Fri:** 9:00 AM - 5:00 PM PST.

ASSEMBLY GUIDE

PARTS LIST

A Post (4 pieces) 	B Foot Base (4 pieces) 	C Foot Cover (4 pieces) 	D1 Cross Beam 1 (4 pieces) 	D2 Cross Beam 2 (4 pieces) 	E1 Support Bracket 1 (4 pieces) 
P0010005301	P0030000104	P0020000104	P0040011001	P0040011101	P0050006001
E2 Support Bracket 2 (4 pieces) 	F Roof Rib (4 pieces) 	G Middle Cross Beam (4 pieces) 	H Mosquito Net Rod (8 pieces) 	J1 Connector 1 (4 pieces) 	J2 Connector 2 (4 pieces) 
P0050006101	P0070002201	P0080001801	P0100002701	P0060000101	P0110000103
J3 Connector 3 (4 pieces) 	J4 Connector 4 (4 pieces) 	J5 Connector 5 (4 pieces) 	J6 Connector 6 (1 piece) 	J7 Connector 7 (8 pieces) 	J8 Connector 8 (8 pieces) 
P0110000303	P0060000304	P0060000403	P0060001903	P0060000501	P0060000606
J9 Connector 9 (4 pieces) 	K1 Roof Cover (1 piece) 	K2 Roof Rib Cover 1 (4 pieces) 	K3 Roof Rib Cover 2 (4 pieces) 	L Roof Support (8 pieces) 	M1 Roof Border 1 (4 pieces) 
P0110000505	P0120000404	P0120003901	P0120004201	P0090014301	P0090014401
M2 Roof Border 2 (4 pieces) 	N1 Roof Plate 1 (4 pieces) 	N2 Roof Plate 2 (4 pieces) 	N3 Roof Plate 3 (4 pieces) 	N4 Roof Plate 4 (4 pieces) 	N5 Roof Plate 5 (4 pieces) 
P0090014501	P0130007501	P0130007601	P0130007701	P0130007801	P0130007901
P Hook (1 piece) 	Q Privacy Curtain (1 piece) 				
P1000000100	P0210001601				

HARDWARE

<p>AA Bolt M6*15 (240+12 pieces)</p> 	<p>BB Bolt M6*35 (16+1 pieces)</p> 	<p>CC Bolt M6*45 (8+1 pieces)</p> 	<p>DD M6 Flat washer (264+14 pieces)</p> 	<p>EE M6 Sealant Washer (8+2 pieces)</p> 	<p>FF Concrete Anchor M6*60 (8 pieces)</p> 
<p>H0008008001</p>	<p>H0008008116</p>	<p>H0008008016</p>	<p>H0008008068</p>	<p>H0008008069</p>	<p>H0008008095</p>
<p>GG Wrench M6 (2 pieces)</p> 	<p>HH M6 Allen Key (2 pieces)</p> 	<p>JJ Rings (40+3 pieces)</p> 			
<p>H0008008011</p>	<p>H0008008133</p>	<p>H0008008113</p>			

IMPORTANT:

This instruction manual contains important information necessary for the proper assembly and safe use of the product.

Read and follow all warnings and instructions before assembling and using the product.

Follow all warnings and instructions when using the product.

Keep this manual for future reference.

Installer/Assembler: leave these instructions with the consumer.

SAFETY ALERT KEY

DANGER

Indicates a hazardous situation that, if not avoided, will result in death or serious injury.

WARNING

Indicates a hazardous situation that, if not avoided, could result in death or serious injury.

CAUTION

Indicates a hazardous situation that, if not avoided, could result in minor or moderate injury.

NOTICE

Indicates information considered important, but not hazard-related (e.g. messages related to property damage).

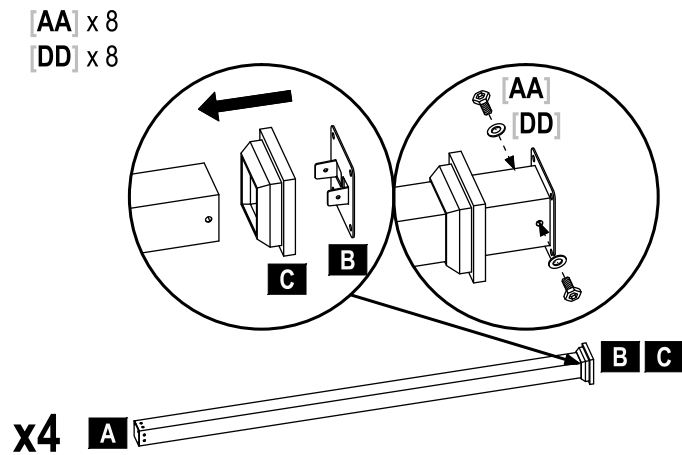
ASSEMBLY INSTRUCTIONS

•Please carefully unpack each of the components and hardware. check the components against the parts list and make sure there are no missing parts. lay pieces on cardboard or a soft mat to help protect the pieces from scratches.

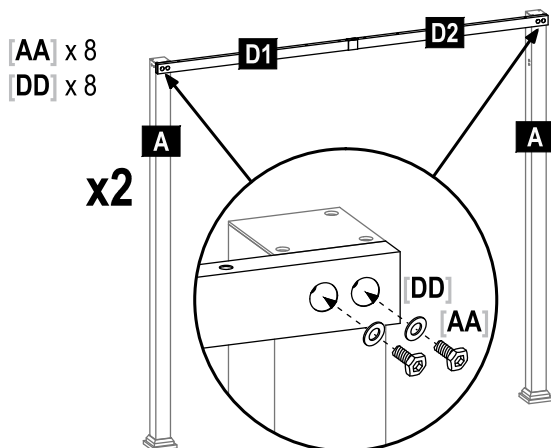
⚠ CAUTION

Watch for sharp edges when handling the pieces, wear gloves to avoid injury.

STEP 01 Slide Foot Cover **C** onto Post **A**, then attach Foot Base **B** using two (2) M6*15 bolts **AA** and two (2) M6 flat washers **DD**. Repeat to assemble four (4) posts.

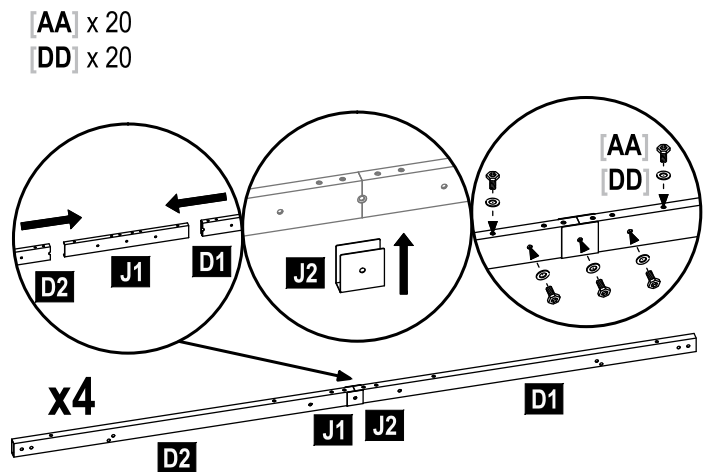


STEP 03 Add one (1) Cross Beam assembly from Step 2 to the top of four (4) Posts **A** using four (4) M6*15 bolts **AA** and four (4) M6 flat washers **DD**. Repeat to make a second side assembly.

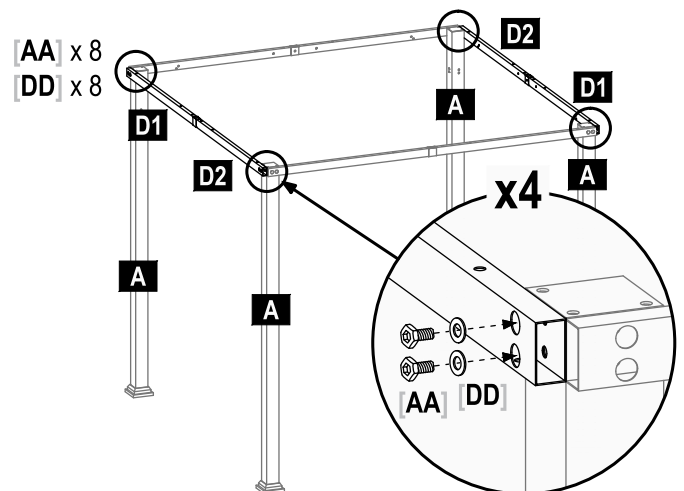


- For ease of assembly, it is recommended to have 3 or more people and allow enough time to completely finish the assembly. assembly can take 6-8 hours. a step-ladder is required for assembly (not included).
- Follow step by step instructions, and follow all safety warnings provided with your tools.
- DO NOT tighten screws until all the screws and washers are properly installed. Tighten screws securely, do not over tighten.
- Gazebo should not be used in inclement weather and high winds.

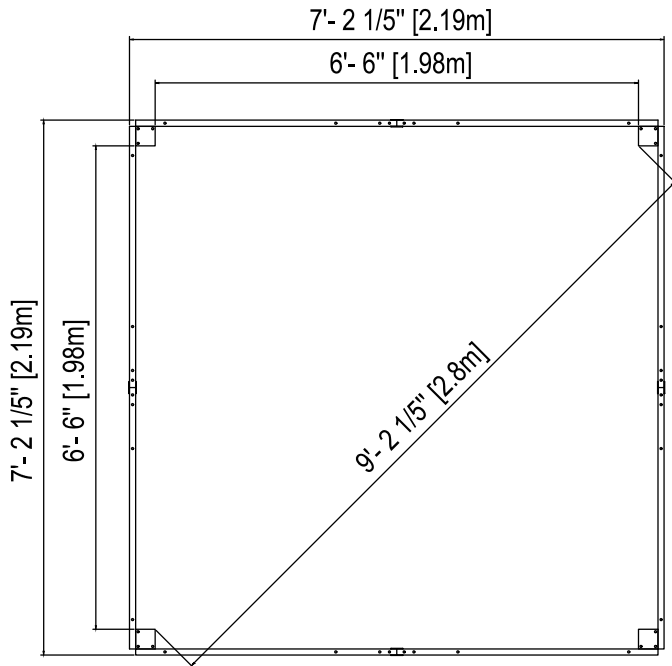
STEP 02 Slide one (1) Cross Beam **D1** and one (1) Cross Beam **D2** onto one (1) Connector **J1**, and secure with one (1) Connector **J2**, five (5) M6*15 bolts **AA** and five (5) M6 flat washers **DD**. Repeat to make four assemblies.



STEP 04 Connect the two (2) Side Assemblies from Step 3 using two (2) Cross Beam Assemblies from Step 2, four (4) M6*15 bolts **AA**, and four (4) M6 flat washers **DD** each.

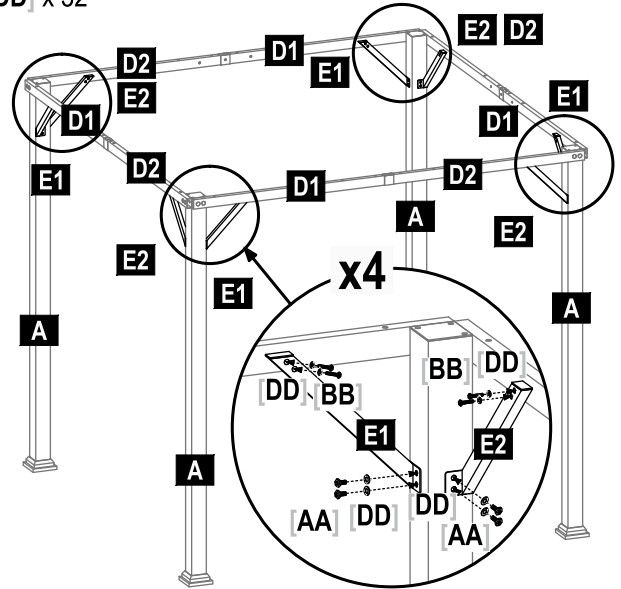


STEP 05 IMPORTANT: Before moving on, square the gazebo base using the provided measurements. Then, fully tighten all bolts to secure them in place.



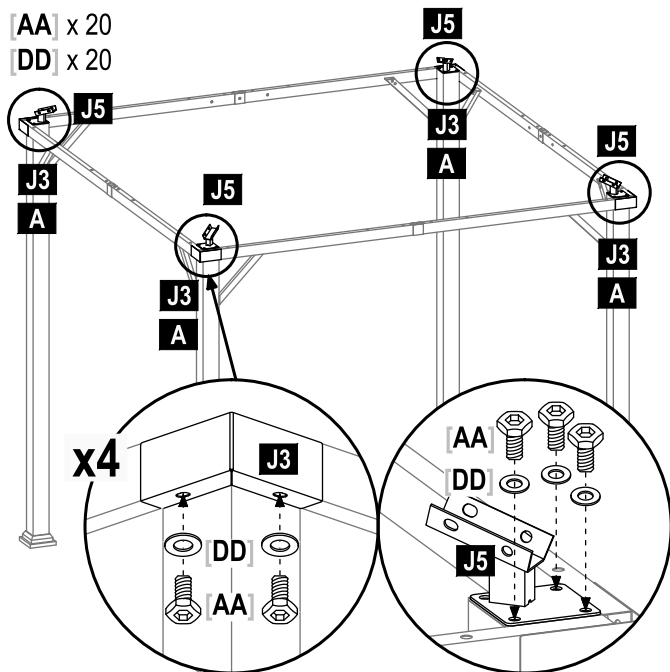
STEP 06 Attach one (1) Support Bracket **E1** and one (1) Support Bracket **E2** under each corner using two (2) M6*15 bolts **AA**, two (2) M6*35 bolts **BB**, and eight (8) M6 flat washers **DD** for each bracket.

- AA** x 16
- BB** x 16
- DD** x 32



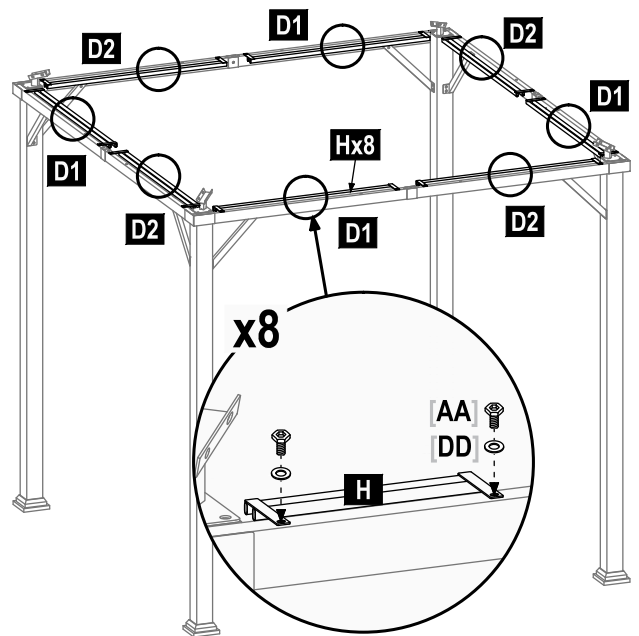
STEP 07 At each corner, add one (1) Connector **J3** using two (2) M6*15 bolts **AA** and two (2) M6 flat washers **DD** each. Then, attach one (1) Connector **J5** on top pointing toward the center of the gazebo using three (3) M6*15 bolts **AA** and three (3) M6 flat washers **DD** each.

- AA** x 20
- DD** x 20



STEP 08 Attach eight (8) Mosquito Net Rods **H** around the gazebo using two (2) M6*15 bolts **AA** and two (2) M6 flat washers **DD** each.

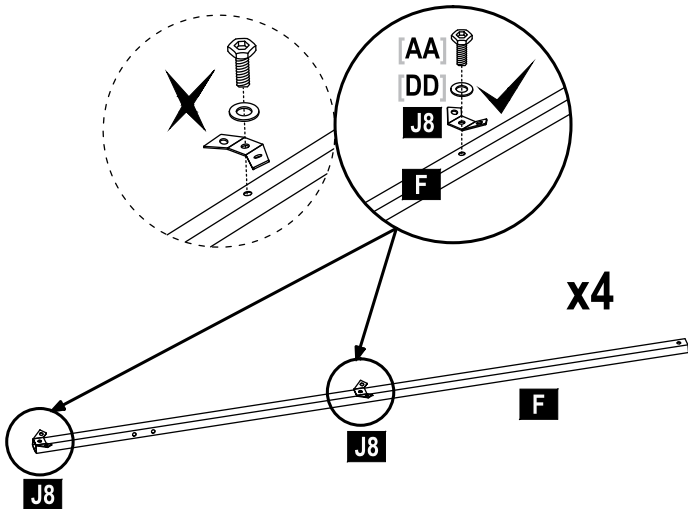
- AA** x 16
- DD** x 16



STEP 09 Connect two (2) Connector **J8** to one (1) Roof Rib **F** using one (1) M6*15 bolt **AA** and one (1) M6 flat washer **DD** each, with the wings pointing away from the end with two (2) holes on the side. Repeat to make four (4) assemblies.

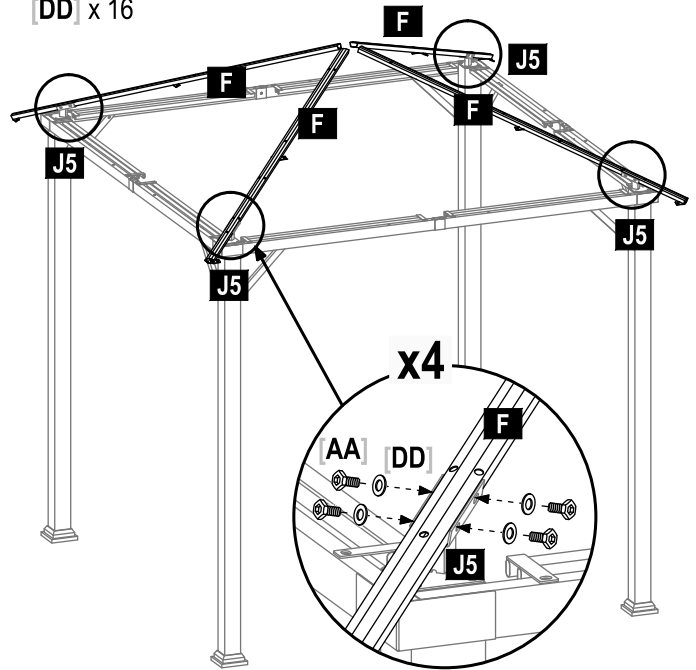
AA x 8
DD x 8

Make sure the connectors face upward as shown.



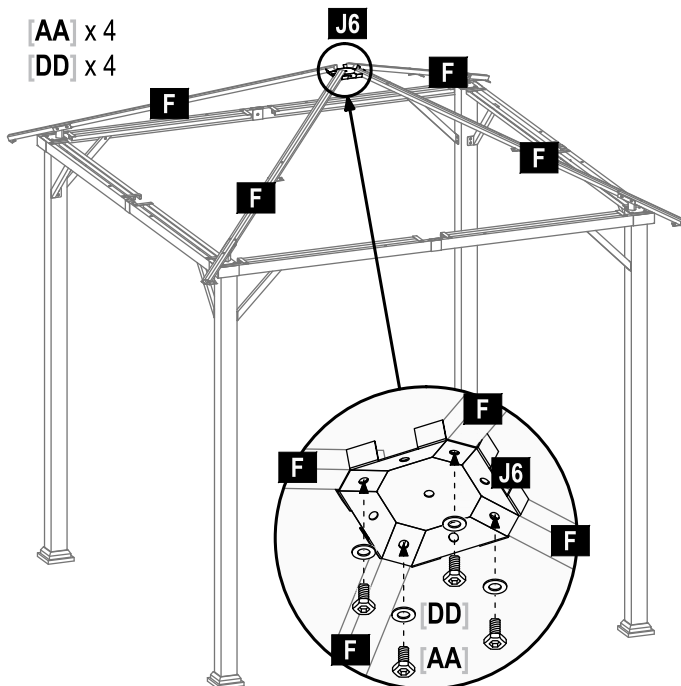
STEP 10 Attach the four Roof Rib assemblies to the Connector **J5** at each corner using four (4) M6*15 bolts **AA** and four (4) M6 flat washers **DD** each.

AA x 16
DD x 16



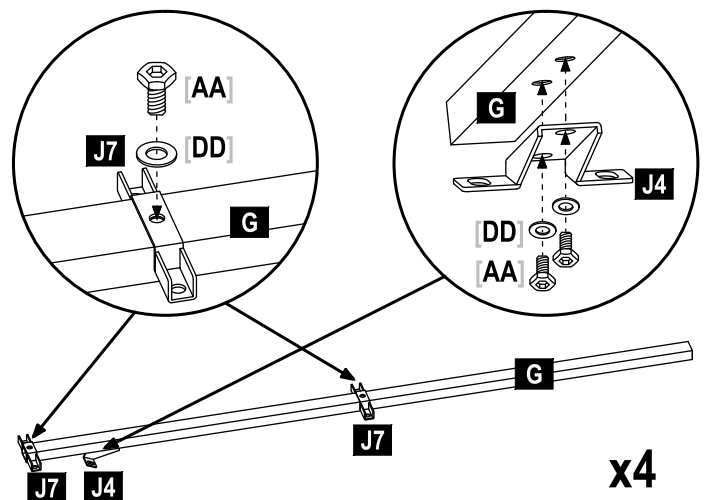
STEP 11 Connect the Roof Ribs together using one (1) Connector **J6**, four (4) M6*15 bolts **AA**, and four (4) M6 flat washers **DD**.

AA x 4
DD x 4



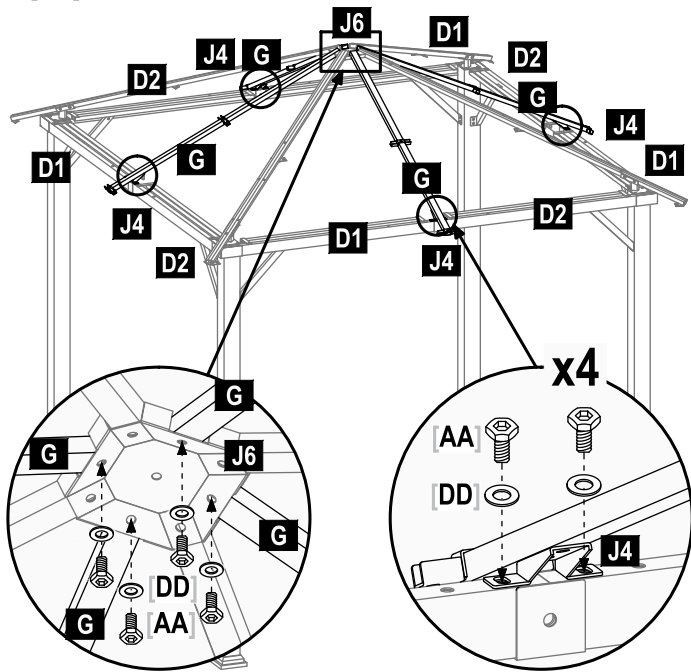
STEP 12 Attach two (2) Connector **J7** one (1) M6*15 bolt **AA** and one (1) M6 flat Washer **DD** each, and one (1) Connector **J4** two (2) M6*15 bolts **AA** and two (2) M6 flat washers **DD** to one (1) Middle Cross Beam **G**. Repeat to make four (4) assemblies.

AA x 16
DD x 16



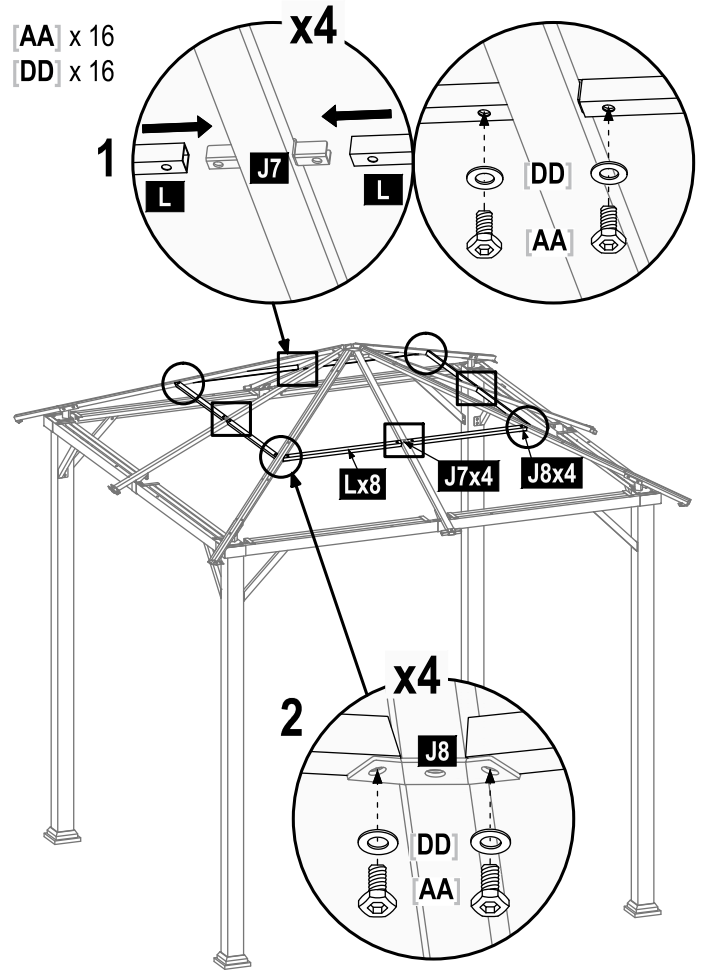
STEP 13 Connect the four (4) Middle Cross Beam Assemblies from Step 12 to the sides of the gazebo using two (2) M6*15 bolts [AA] and two (2) M6 flat washers [DD] each. Then, connect the assemblies to the Connector [J6] at the top of the gazebo using one (1) M6*15 bolt [AA] and one (1) M6 flat washer [DD] each.

[AA] x 12
[DD] x 12



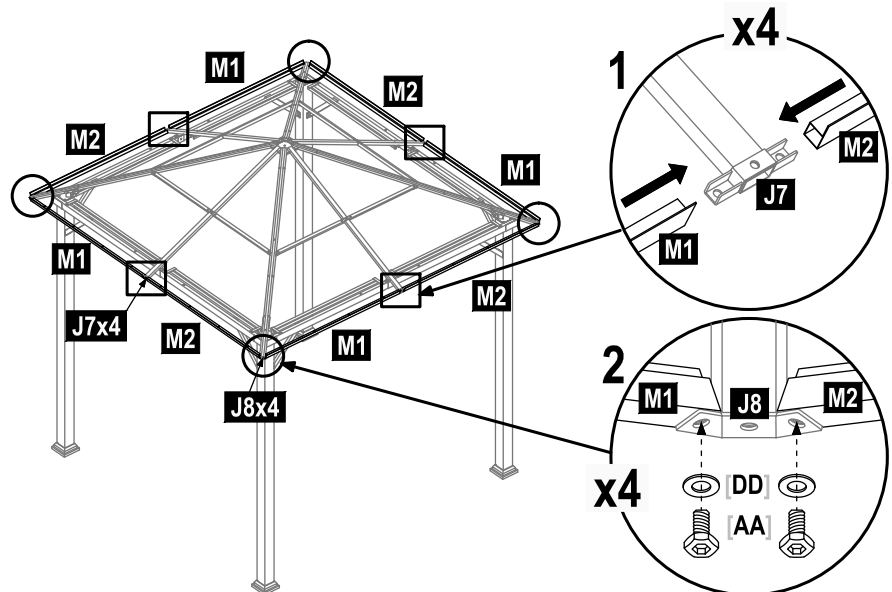
STEP 14 Attach the eight (8) Roof Supports [L] between the connectors on the Middle Cross Beams and Roof Ribs using two (2) M6*15 bolts [AA] and two (2) M6 flat washers [DD] each.

[AA] x 16
[DD] x 16



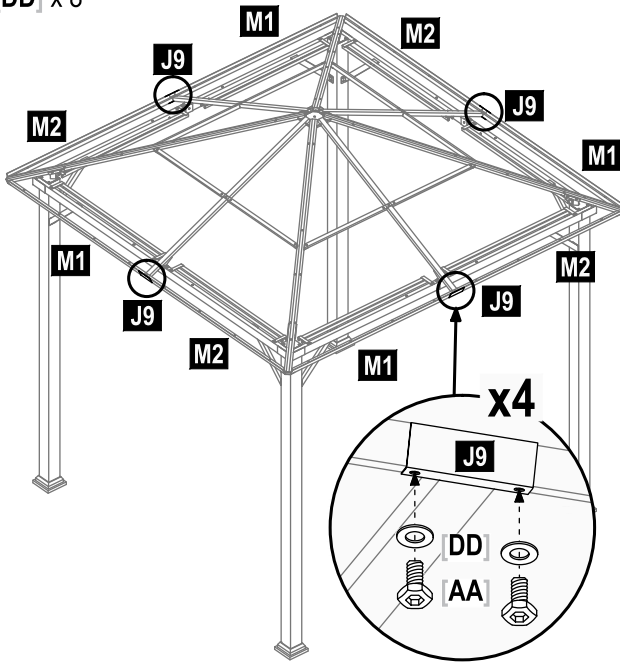
STEP 15 Attach one (1) Roof Border [M1] and one (1) Roof Border [M2] to each side of the gazebo using the connectors that are already attached. Use two (2) M6*15 bolts [AA] and two (2) M6 flat washers [DD] each.

[AA] x 8
[DD] x 8



STEP 16 Attach one (1) Connector **J9** over the center of each Cross Beam assembly using two (2) M6*15 bolts **AA** and two (2) M6 flat washers **DD**.

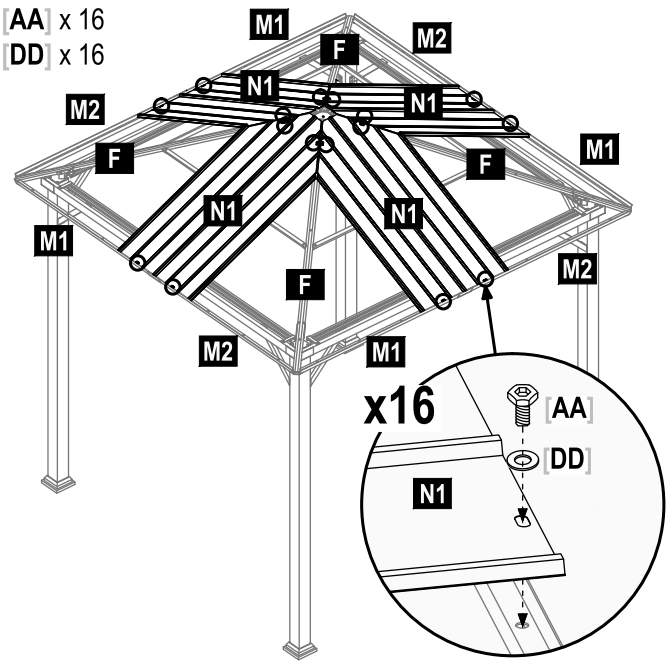
AA x 8
DD x 8



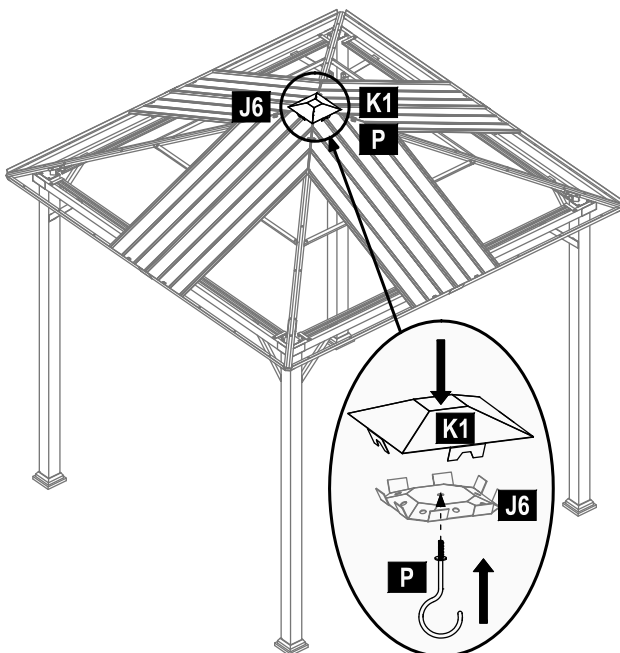
STEP 17 DO NOT tighten the bolts completely until all the bolts and washers are properly installed.

Overlap the edges of the adjacent roof plates together. Attach one (1) Roof Plate **N1** to each side using four (4) M6*15 bolts **AA** and four (4) M6 flat washers **DD** each.

AA x 16
DD x 16



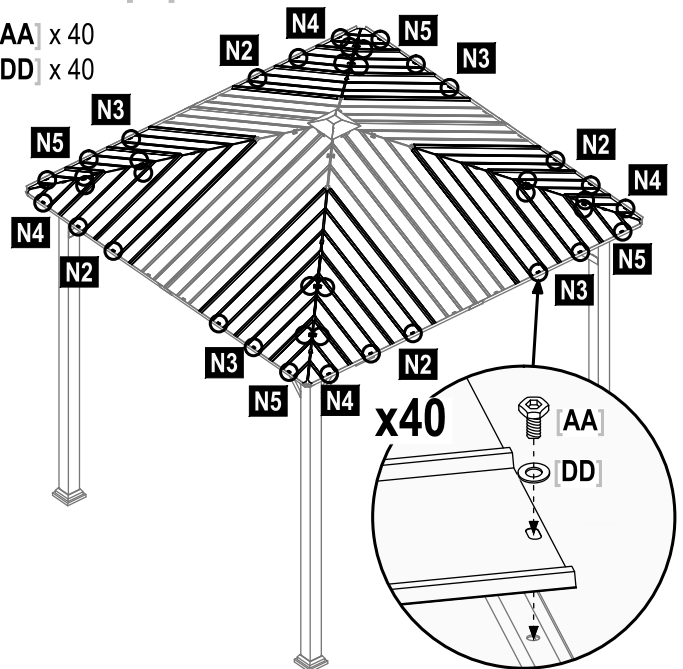
STEP 18 Add the Roof Cover **K1** on top of the Connector **J6**. Then, attach the Hook **P** through the underside of the connector.



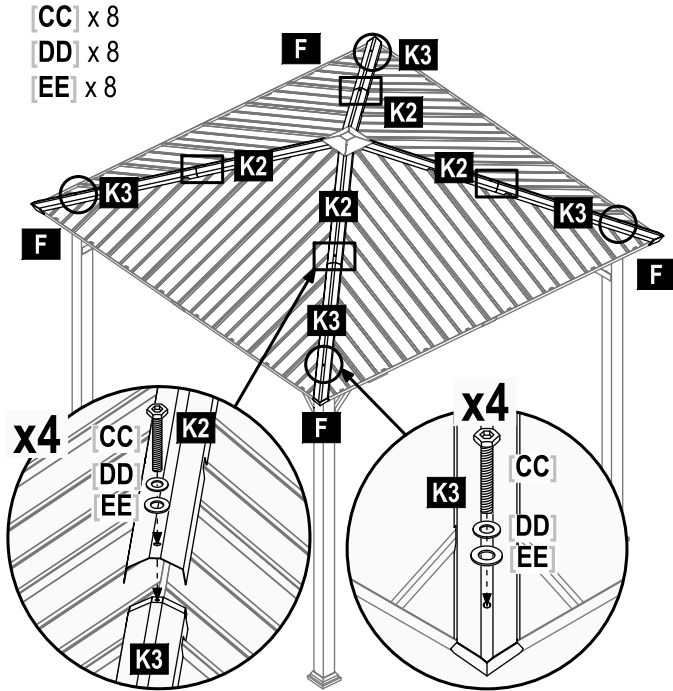
STEP 19 DO NOT tighten the bolts completely until all the bolts and washers are properly installed.

Overlap the edges of the adjacent roof plates together. Add the remaining Roof Panels **N4**, **N2**, **N3**, and **N5** to each side of the gazebo using forty (40) M6*15 bolts **AA** and forty (40) M6 flat washers **DD**.

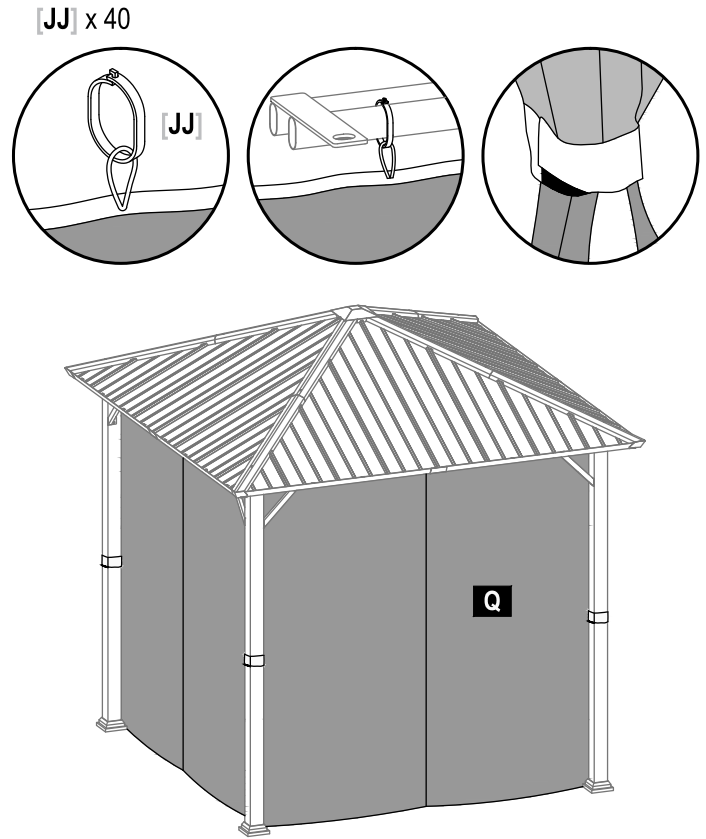
AA x 40
DD x 40



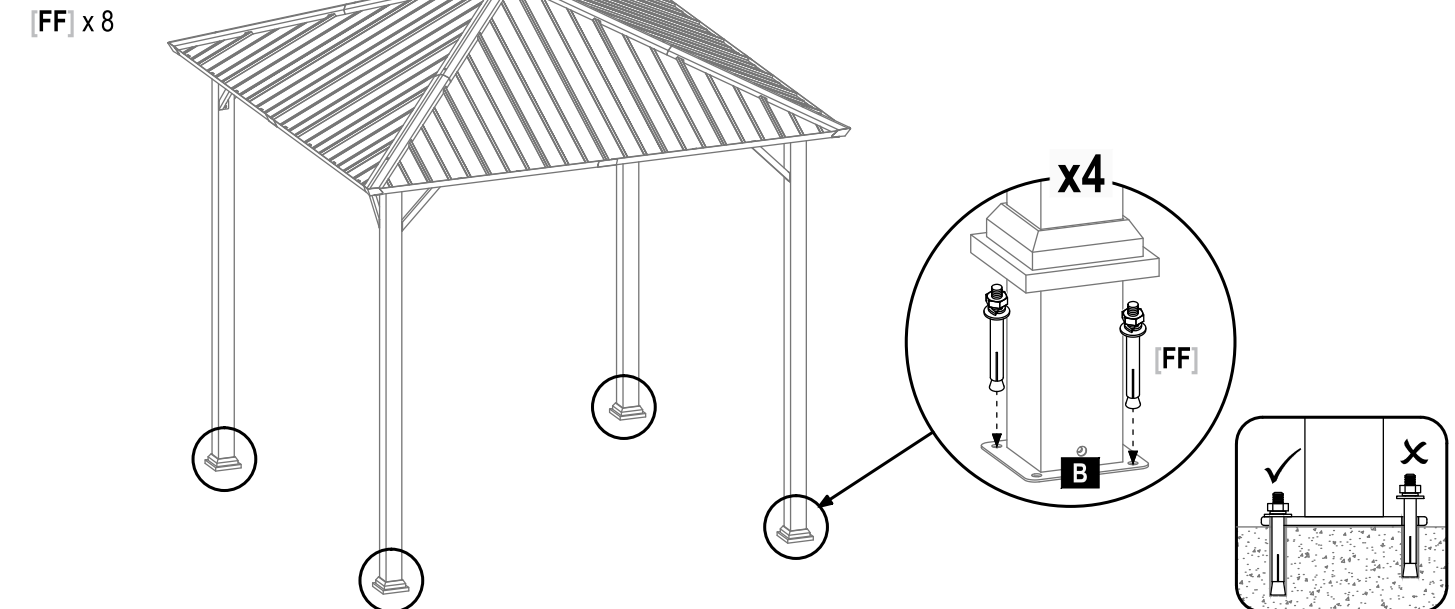
STEP 20 Add one (1) Roof Ribs Cover **K3** and one (1) overlapping Roof Ribs Cover **K2** over each corner of the roof. Secure them with eight (8) M6*45 bolts **CC**, eight (8) M6 flat washers **DD**, and eight (8) M6 sealant washers **EE** each.



STEP 21 Attach the forty (40) Rings **JJ** to the Privacy Curtain **Q**, then attach them to the Mosquito Net Rods **H** around the gazebo.

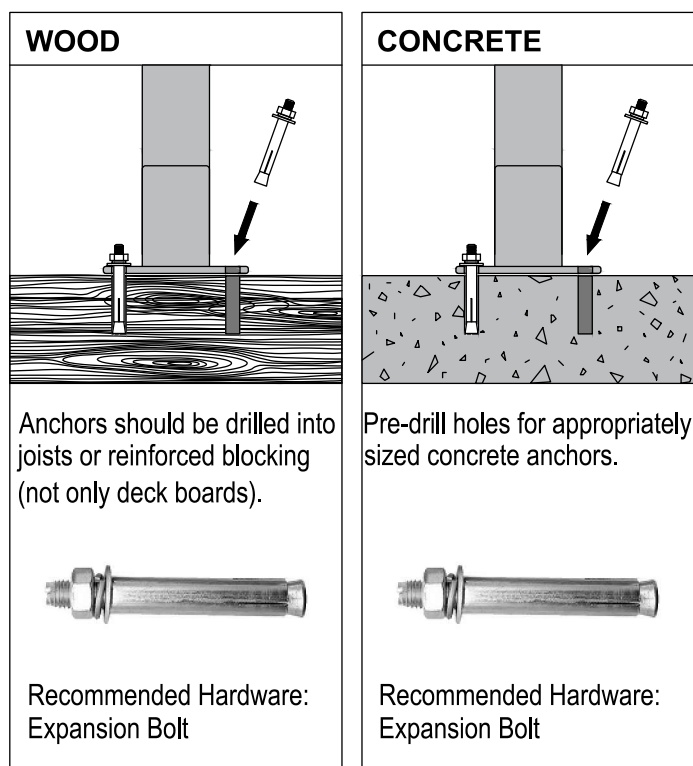


STEP 22 Set the gazebo in place, lift Foot Cover **C** up, and install two (2) M6*60 concrete anchors **FF** into each Foot Base **B**. Push anchors all the way down, then slide Foot Cover **C** down into place. We recommend using a 3/8 inch drill bit when installing the included expansion bolts.



Outdoor Structure anchoring guide for anchoring gazebo to wood or concrete: If step 22, on page 09 in the assembly instructions is not properly completed, this will void the warranty.

⚠ WARNING! If your gazebo is not properly anchored, damage could occur. It is highly recommended for maximum safety that you mount and secure to wood or concrete footers. This is far better and safer than using ground stakes. The following are some examples of how to mount the structure to wood or concrete surfaces. Refer to local building codes or consider consulting a licensed contractor for assistance in the anchoring of this product.



If digging for foundation, please double check for possibility of any underground utilities such as gas, telephone, cable or sprinkler lines. Refer to your local building and city codes, ordinances, neighborhood covenants, or height restrictions regarding this type of structure for guidance on acceptable installation requirements.

⚠ CAUTION

DO NOT climb or walk on roof for any reason.

- Our components are intended for privacy, decorative and ornamental use only.
- Product is NOT INTENDED for the following:
 - A safety barrier to prevent unsupervised access to pools, hot tubs, spas or ponds.
 - As load bearing support for a building, structure, heavy objects or swings.
 - Used in structures that trap wind, rain or snow that would create extra load on the product.
 - Accumulated snow must be removed from roof.
 - DO NOT climb or walk on roof for any reason.

LIMITED WARRANTY

We warrants this product against defects in materials and workmanship for a period of one (1) year from the original date of purchase. To the extent any such defects occur, our products will send the appropriate replacement part(s) at no charge.

This warranty does not cover:

- Inspection costs or labor for replacement of any defective parts);
- Incidental or consequential damages;
- Cosmetic defects which DO NOT affect performance;
- Normal wear and tear;
- Damage due to vandalism; acts of nature, including but not limited to wind, storms, hail, floods;
- Improper assembly, installation, or use;
- Discoloration or fading of the finish as a result of exposure to chemicals, spills, pool or salt water
- Corrosion/ rust.

Your product has been designed for safety and quality.

Any modifications made to the original product could compromise its structural integrity or function, and could lead to product failure or personal injury. As such, modifying this product voids any and all warranties.

This product is warranted for RESIDENTIAL USE ONLY, and is not for commercial, contract or other non-residential purposes. Products disclaims all other representations and warranties of any kind, express or implied.

The warranty applies to the original purchaser and is non-transferable. It does not apply to purchases of display models, or when the product is sold on clearance or "as is".

We makes no warranty whatsoever in respect to accessories or parts not supplied with it. This warranty shall apply only within the boundaries of the United States of America and Canada. This warranty gives the original purchaser specific rights, and the original purchaser may also have other rights, which vary from state to state.

